

SPLIT 343

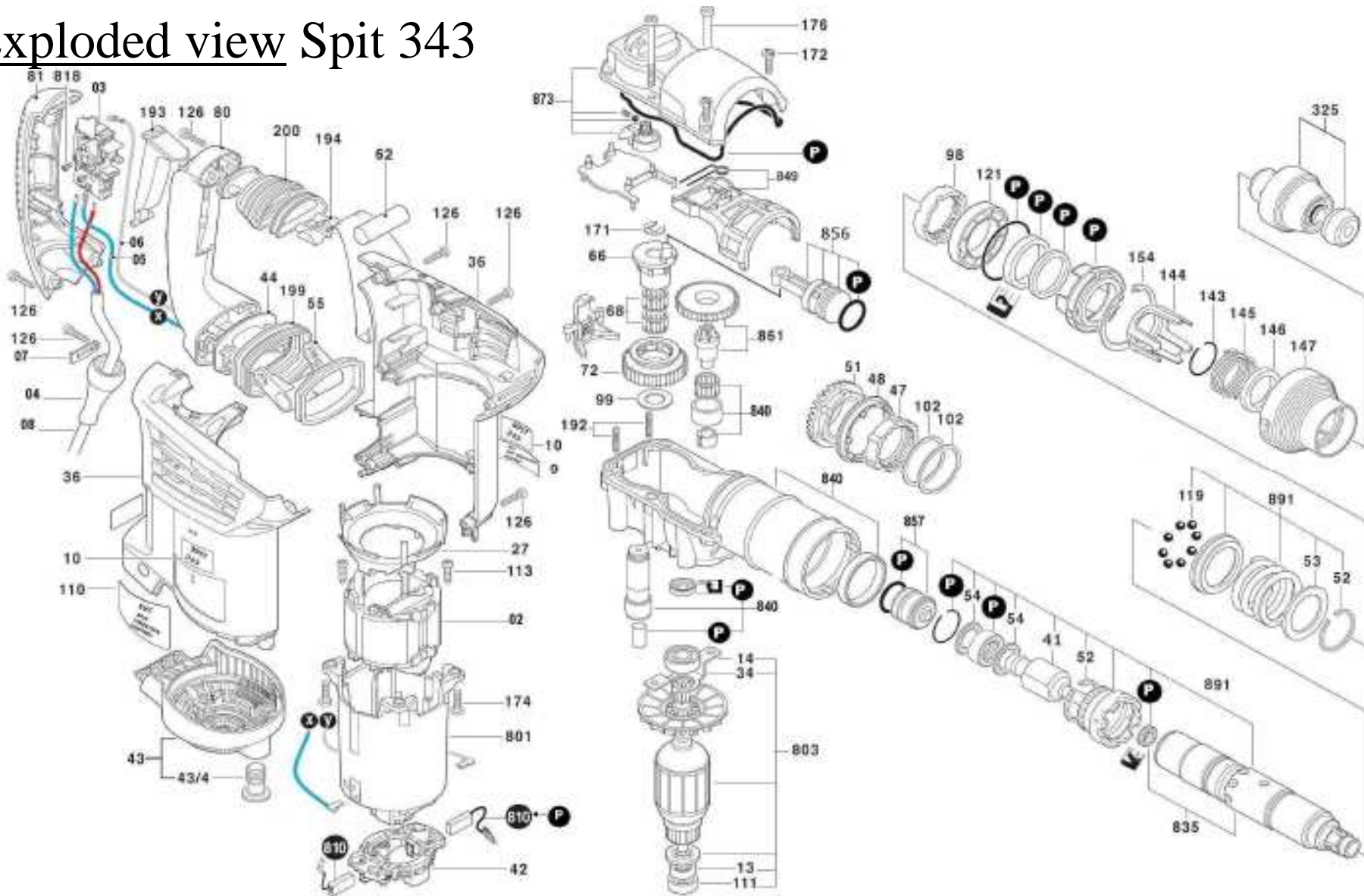


- 850 - SPIT343 - Ind. E - 20090811 - 1/2

i				0 - 800 min ⁻¹
		13 mm		$a_h = 9 \text{ m/s}^2$ $k = 1,5 \text{ m/s}^2$
		32 mm		$a_h = 10 \text{ m/s}^2$ $k = 1,5 \text{ m/s}^2$
		32 mm		$a_h < 2,5 \text{ m/s}^2$ $k = 1,5 \text{ m/s}^2$
	90 mm			
	$L_{WA} = 104 \text{ dB(A)}$ $L_{pA} = 93 \text{ dB(A)}$ $K = 3 \text{ dB}$		4,7 kg	
	5 Joules 0-3600 min ⁻¹		230 - 240 V 50 / 60 Hz	
			900 W	

- 850 - SPIT343 - Ind. E - 20090811 - 2/2

Exploded view Spit 343



Spare parts list Spit 343

Rep.	Code	Designation	Description	Stock		
2	652690	Stator 230V	Field 230V	yes		
3	652691	Interrupteur	On-off switch	yes		
4	652327	Protège cable	Grommet	yes		
5	652692	Cable de connexion	Connecting cable	yes		
6	652693	Cable de connexion	Connecting cable	yes		
7	652694	Plaque de fixation	Fastening clamp	No		
8	120030	Cable alimentation 230V Spit	Power cord 230V Spit	yes		
9	652695	Etiquette Spit SVC	Spit Label SVC	yes		
10	652687	Etiquette SPIT 343	Label SPIT 343	yes		
13	128420	Roulement induit	Deep-groove ball bearing	yes		
14	652209	Rlt coté ventilateur	Deep-groove ball bearing	No		
27	652696	Deflecteur d'air	Air-deflector ring	No		
34	652697	Tole de fixation	Fixing plate	No		
36	652698	Ens.carter D £ G	Housing set	yes		
41	652700	Percuteur	Striker pin	yes		
42	652701	Porte balais	Brush holders	yes		
43	652702	Capot inferieur	Black cover	yes		
43/4	652703	Vis de serrage	Screw	yes		
44	652704	Raccord poignée	Rocket foot	No		
47	652705	Douille	Gear sleeve	yes		
48	652706	Anneau cranté	Clutch sleeve	yes		
51	652707	Couronne	Crown gear	yes		
52	652708	Circlip retenue	C-clip	No		
53	652754	Rondelle d'appui	Supporting disc	No		
54	652709	Rondelle de buté	Stop disc	yes		
55	652710	Raccord levier poignée	Rocker	yes		
62	652711	Caoutchouc	Damping rubber	No		
66	652712	Excentrique	Eccentric	yes		
68	652713	Couronne	Needle-roller assy	yes		
72	652714	Roue dentée	Eccentric cog wheel	yes		
80	652715	Poignée arrière	Back handle	yes		
81	652716	Couvercle poignée	Top handle	yes		

Rep.	Code	Designation	Description	Stock		
98	652717	Entretoise	Spacer sleeve	yes		
99	652718	Rondelle d'appui	Washer	yes		
102	652719	Rondelle compensation 0,8	Shim	yes		
102/1	652720	Rondelle compensation 0,9	Shim	yes		
102/2	652721	Rondelle compensation 1,00	Shim	yes		
110	652722	Etiquette (grande) SVC	SVC Label	yes		
111	652220	Cage de roulement	Intermediate ring	yes		
113	652305	Vis stator	Head screw	yes		
119	352750	Bille	Ball	yes		
121	652723	Palier glisseur	Friction bearing	yes		
126	652724	Vis carter	Torx oval-head screw	yes		
143	652725	Circlip	Snap ring	yes		
144	652726	Anneau a crabot	Collar	yes		
145	652727	Ressort de compression	Compression spring	yes		
146	652728	Bague d'appui	Support disc	yes		
147	652729	Manchon	Guide sleeve	yes		
154	652730	Circlip	C-clip	yes		
171	652731	Circlip	Locking washer	yes		
172	652732	Vis couvercle carter	Thread-forming tap screw	yes		
174	652733	Vis carcasse stator	Thread-forming tap screw	yes		
176	652734	Vis	Torx cylinder head screw	yes		
192	010257	Ressort de compression	Compression spring	yes		
193	652735	Gachette interrupteur	Switch	yes		
194	652736	Plaque poignée	Screw plate	yes		
199	652737	Soufflet inferieur	Bellows	yes		
200	652738	Soufflet superieur	Bellows	yes		
325	652755	Porte outil	Tool holding fixture	yes		
801	652740	Carcasse stator	Field housing	yes		
803	652741	Ensemble induit 230V	Armature set	yes		
810	652742	Paire de charbons	Carbon brush set	yes		
818	350890	Vis M3X6.5	Socket head screw	yes		
835	652743	Cylindre	Hammer pipe	yes		
840	652744	Ens.carter cylindre	Impact mechanism housing	yes		
849	652745	Fourchette de cde	Control fork	yes		
856	652746	Ens.piston	Hammer piston	yes		
857	652747	Ens.frappeur	Striker	yes		
861	652748	Ens.pignon	kit pinion	yes		
873	652750	Ens.couvercle carter	Kit Housing cover	yes		
891	652752	Ens.cylindre	kit hammer pipe	yes		
-	652751	Ens.poignée auxiliaire	Auxiliary handle	yes		
●	652753	Pochette d'entretien	Service pack set	yes		