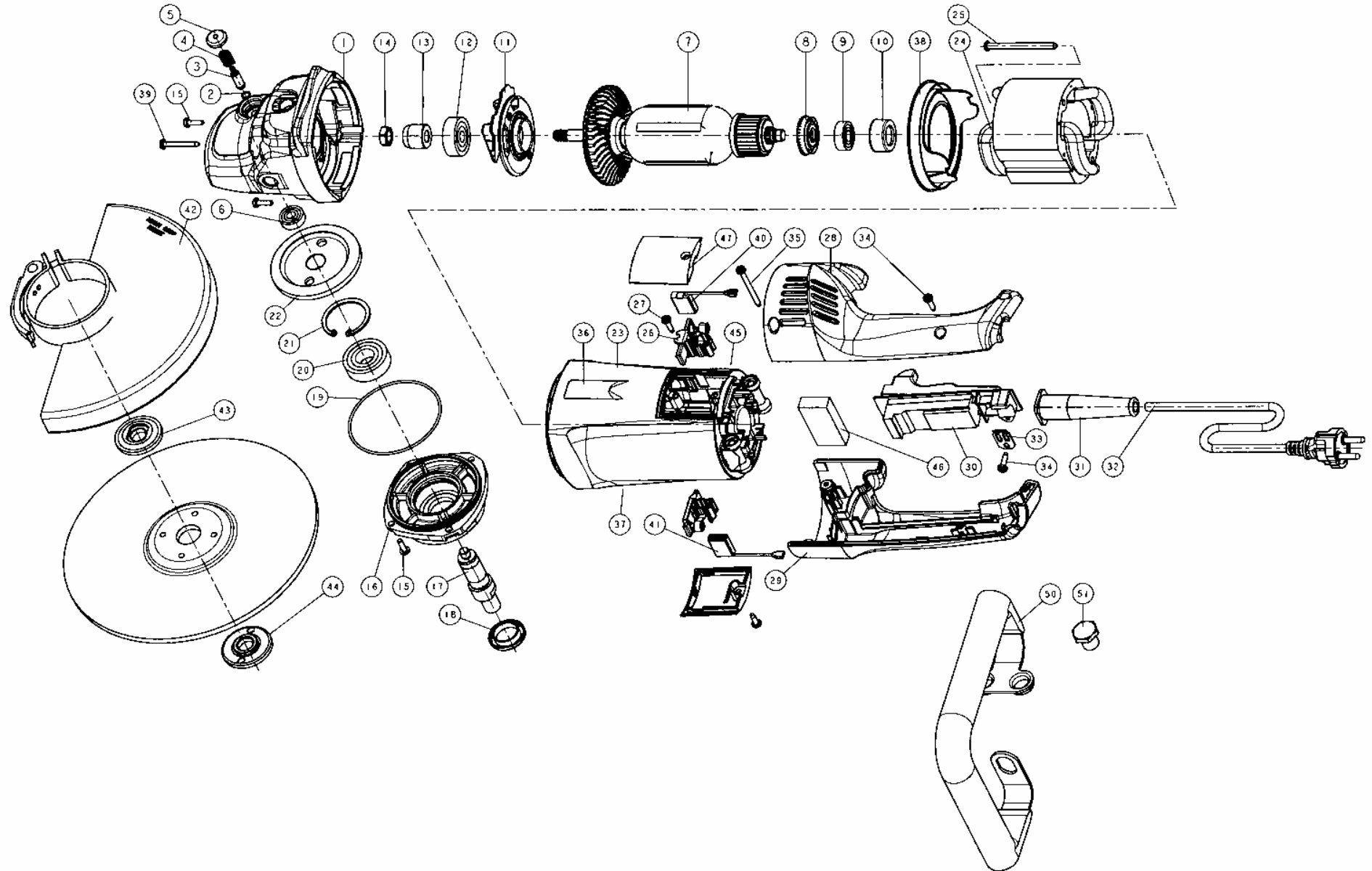




SAG230E



Mark plan	Spit code	Description	Qty		Mark plan	Spit code	Description	Qty
	Kit 1: 624994	Disc lock assembly	1			Kit 6: 624999	Gear cover assembly	1
3		Lock pin	1		1		Gear cover	1
5		Cap	1		6		Ball bearing 608 ZZ	1
4		Lock spring	1		32	624976	Cord assembly	1
	Kit 2: 624995	Packing gland unit	1		31	624977	Cord armor	1
17		Spindle	1		33	654004	Cord clip	1
22		Gear	1		30	624978	Trig S/W	1
19		O-ring	1		46	624979	Sof starter	1
21		Retaining ring hole D40	1		9	624980	Ball bearing 6000UU	1
20		Ball bearing 6203	1		10	624981	Rubber packing	1
18		Flinger	1			Kit 4: 624997	Handle assembly	1
16		Packing gland	1		29		Handle (B)	1
13		Pinion	1		28		Handle (A)	1
14		Hex nut M10 x 1	1		3		Lock pin	1
	Kit 3: 624996	Screw kit assembly	1		5		Cap	1
34		Pan HD T/T bolt M4 x 16	7			Kit 5: 624998	Gear cover unit	1
35		Pan HD T/T bolt M4 x 50	2		12		Ball bearing	1
14		Hex nut M10 x 1	1		6		Ball bearing 608ZZ	1
39		Pan HD T/T –S M5 x 33	4		1		Gear cover	1
25		Pan HD T/T –S M5 x 75	2		4		Lock spring	1
15		Pan HD T/T – S M 5 x 14	6		2		O-ring	1
	Kit 4: 624997	Handle assembly	1			Kit 6: 624999	Gear cover assembly	1
29		Handle (B)	1		1		Gear cover	1
28		Handle (A)	1		6		Ball bearing 608 ZZ	1
3		Lock pin	1		32	624976	Cord assembly	1
5		Cap	1		31	624977	Cord armor	1
	Kit 5: 624998	Gear cover unit	1		33	654004	Cord clip	1
12		Ball bearing	1		30	624978	Trig S/W	1
6		Ball bearing 608ZZ	1		46	624979	Sof starter	1
1		Gear cover	1		9	624980	Ball bearing 6000UU	1
4		Lock spring	1		10	624981	Rubber packing	1
2		O-ring	1					