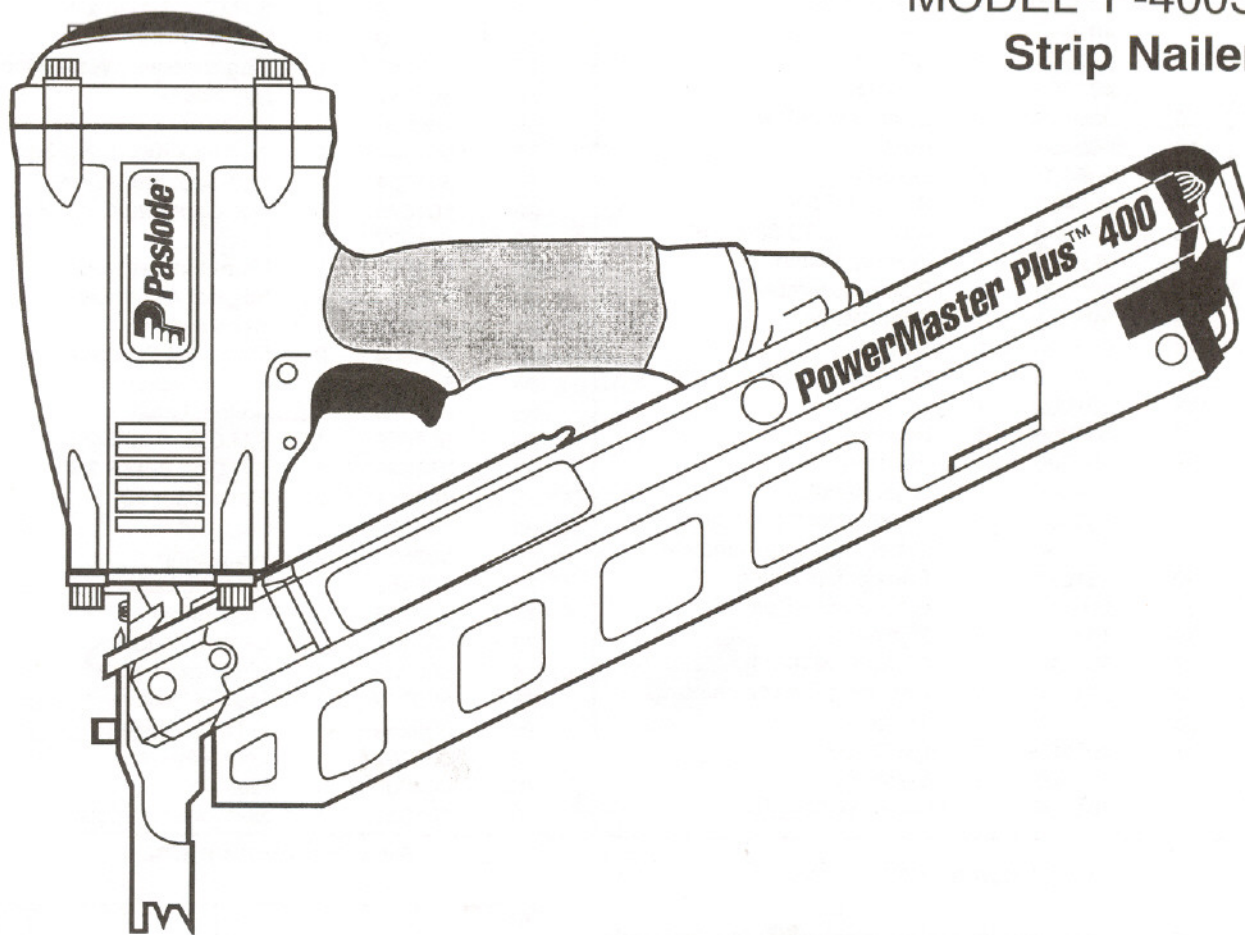




PowerMaster Plus™ 400

MODEL F-400S

Strip Nailer



PowerMaster Plus™ 400

**IMPORTANT!
DO NOT DESTROY**

Always refer to safety and maintenance manuals #405218 and #405219 for detailed information on this tool. It is the customers responsibility to have all operators and service personnel read and understand this information.

**TOOL SCHEMATIC AND
PARTS**

PARTS LEGEND *PowerMaster Plus*™ F-400S, 500705

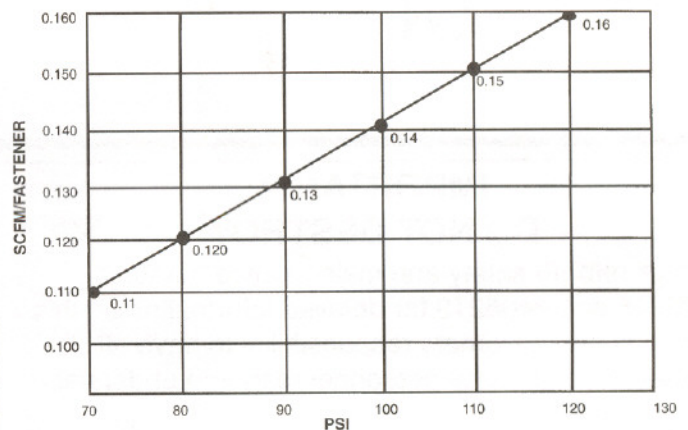
▲ 1	501043	1	T.H.S.C.S. 1/4 -20 x 1/2"
2	501016	1	Air Deflector
3	091873	4	S.H.C.S. 1/4-20 x 2"
4	092757	4	Flatwasher 1/4"
5	500707	1	Cap
*6	500461	1	O-Ring
*7	092042	1	O-Ring
8	500407	1	Spring, Main Valve
*9	501001	1	Gasket, Cap
10	406041	1	Retaining Ring
11	500455	1	Upper Valve Piston
12	401946	1	Seal, Main Valve
*13	091208	1	O-Ring
*14	401950	1	O-Ring
15	500456	1	Lower Valve Piston
16	500454	1	Post
*17	095432	2	O-Ring
18	500453	1	Bumper, Post
19	402906	1	B.H.S.C.S. 10-32 x 5/8"
*20	092971	1	O-Ring, Piston
*21	500709	1	Piston Assembly
22	402011	1	Seal Sleeve
23	500710	1	Sleeve
*24	092235	1	O-Ring, Sleeve
*25	501002	1	O-Ring
*26	500866	1	Bumper
27	501020	1	Housing
28	501023	1	Grip, Handle
29	501333	1	Label, Housing-Leftside
	501334	1	Label, Housing-Rightside
30	501013	1	End Cap, Housing
31	500516	1	B.H.S.C.S. - Special
32	404274	1	Flatwasher
33	500525	1	Locknut, 5/16-24
34	091622	1	Reducing Pipe Bushing
35	501010	1	Trigger
36	402669	1	Pin, Trigger
37	501009	1	Spirol Pin
38	501008	1	Lever, Bottom Trip
39	402668	1	Retaining Ring
40	097748	1	Spring, Valve Pin
41	097746	1	Valve Pin
42	071297	3	Roll Pin 1/8 x 1-1/8"
*43	092174	1	O-Ring, Valve Body
44	401958	1	Valve Body
46	500712	1	Nose 30°
47	095417	4	Lockwasher 5/16
▲ 48	009016	4	S.H.C.S. 5/16-18 x 1"
49	501006	1	Spring, W.C.E.
→ 50	501363	1	Upper W.C.E.
51	091618	1	S.H.C.S. 1/4-20 x 1/2"
52	500713	1	Lower W.C.E.
53	500841	1	Magazine with Wear Strips
54	500717	1	Nail Cover
55	500531	1	Follower
56	501044	1	3/16 Hex Key, Long Arm
57	501024	1	End Cap, Magazine-LF
58	501025	1	End Cap, Magazine-RT
59	501027	1	Latch
60	501046	1	Drum Pin Assembly
61	500513	1	Negator Assembly
62	500839	1	Nameplate
▲ 63	404904	2	Screw 1/4-28 x 5/8"
64	500509	1	Front Bracket
65	501028	1	Spring, Latch
66	501026	1	S.H.C.S. 8-32 x 2"
67	066840	1	S.H.C.S. 8-32 x 3/4"
68	404414	2	Flatwasher #8
69	404325	2	Stop Nut
70	500520	2	Wear Strip
** 71	500458	1	Warning Label
72	500838	2	Logo Label
73	500199	1	Spring, Trigger
74	500729	1	Blade Seal
75	500779	1	Flange, Sleeve
76	500249	1	O-Ring, Sleeve
77	002187	1	Lock Washer
78	404800	1	Flat Washer
79	501039	1	Sequential Trigger

* Denotes Normal Wear Items

** Make sure Warning Label (Part No. 500458) is properly affixed. Replace if necessary. Label available at no charge through the Service Department.

▲ Apply Loctite 242 (Blue) Part No. 093500

Air Consumption Chart



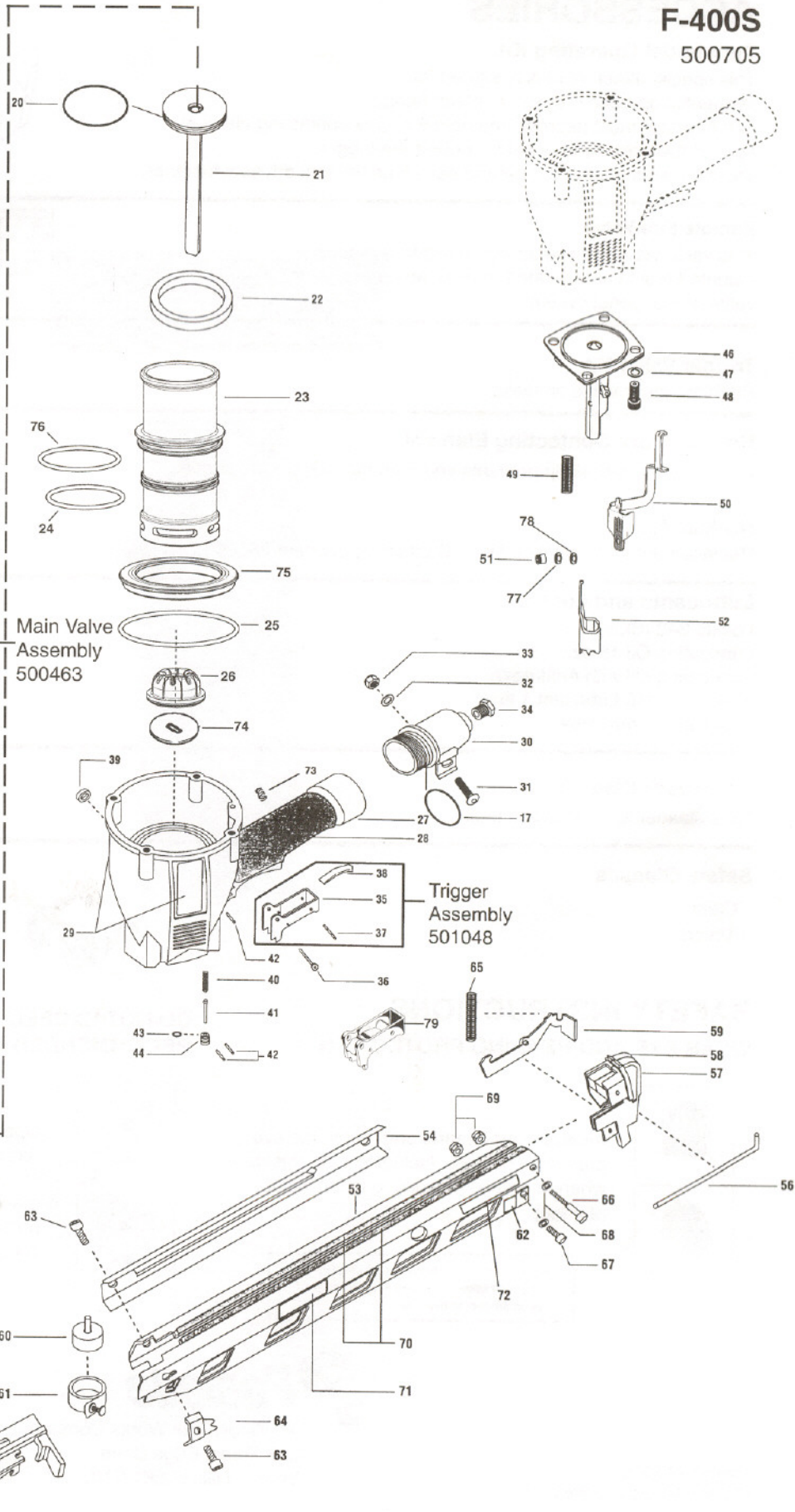
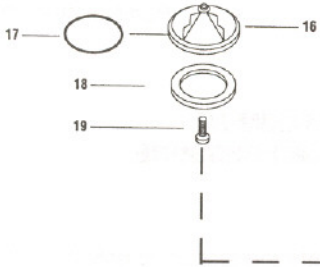
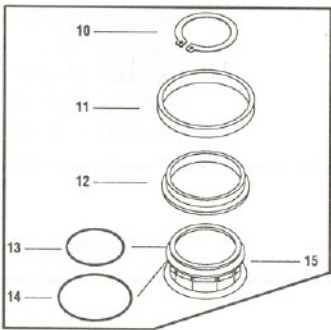
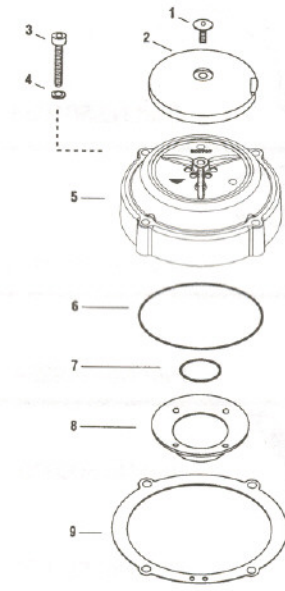
! WARNING

All parts must be periodically inspected and replaced if worn or broken. Failure to do this can affect the tool's operation and present a safety hazard.

PowerMaster Plus™ 400

F-400S

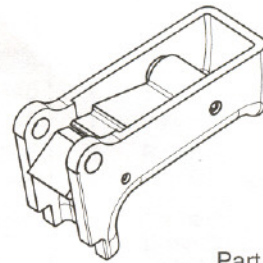
500705



ACCESSORIES

Sequential Operating Kit

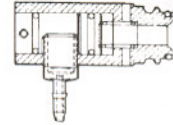
This special attachment is designed for sequential operation (stops "contact" firing). The operator must depress and hold the work contacting element against the work surface before pulling the trigger. This sequence must be repeated each time the tool drives a fastener.



Part No.501039

Remote Fire Valve

This valve via a positive air signal allows a machine mounted tool to be operated from an automatic air valve or foot pedal system.



Part No. 1X0713

Trigger Valve Kit

Repairs trigger valve air leaks.

Part No. 219224

No-Mar Work Contacting Element

W.C.E. with a rubber tip prevents you from marring wood surfaces.



Part No.500903

No-Mar Tip

Replacement tip for No-Mar Work Contacting Element #500903.



Part No. 501022

Lubricants and Loctite

Loctite 242 (Blue)
Lubricating Oil 16 oz.
Lubricating Oil with Antifreeze
Chemplex 710 Lubricant 1 lb.
Lubricant 5 gram tube

Part No. 093500
Part No. 403720
Part No. 219090
Part No. 403734
Part No. 219188

Degreaser Cleaner

Ideal cleaner for all Paslode tools.

Part No. 219086

Safety Glasses

Clear
Tinted



Part No. 402510
Part No. 402512

SAFETY INSTRUCTIONS

WEAR EYE AND HEARING PROTECTION

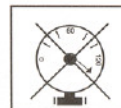


Always wear hearing protection and eye protection devices, including side shields when operating or working in the vicinity of a tool.



Never use any bottled air or gases such as oxygen to operate the tool since they could cause the tool to explode.

DO NOT EXCEED MAXIMUM RECOMMENDED AIR PRESSURE



Operate the tool using only the recommended air pressure. Do not exceed the maximum air pressure marked on the tool. Be sure the air pressure gauge is operating properly and check it at least twice a day.



An Illinois Tool Works Company
888 Forest Edge Drive
Vernon Hills 60061-3105