

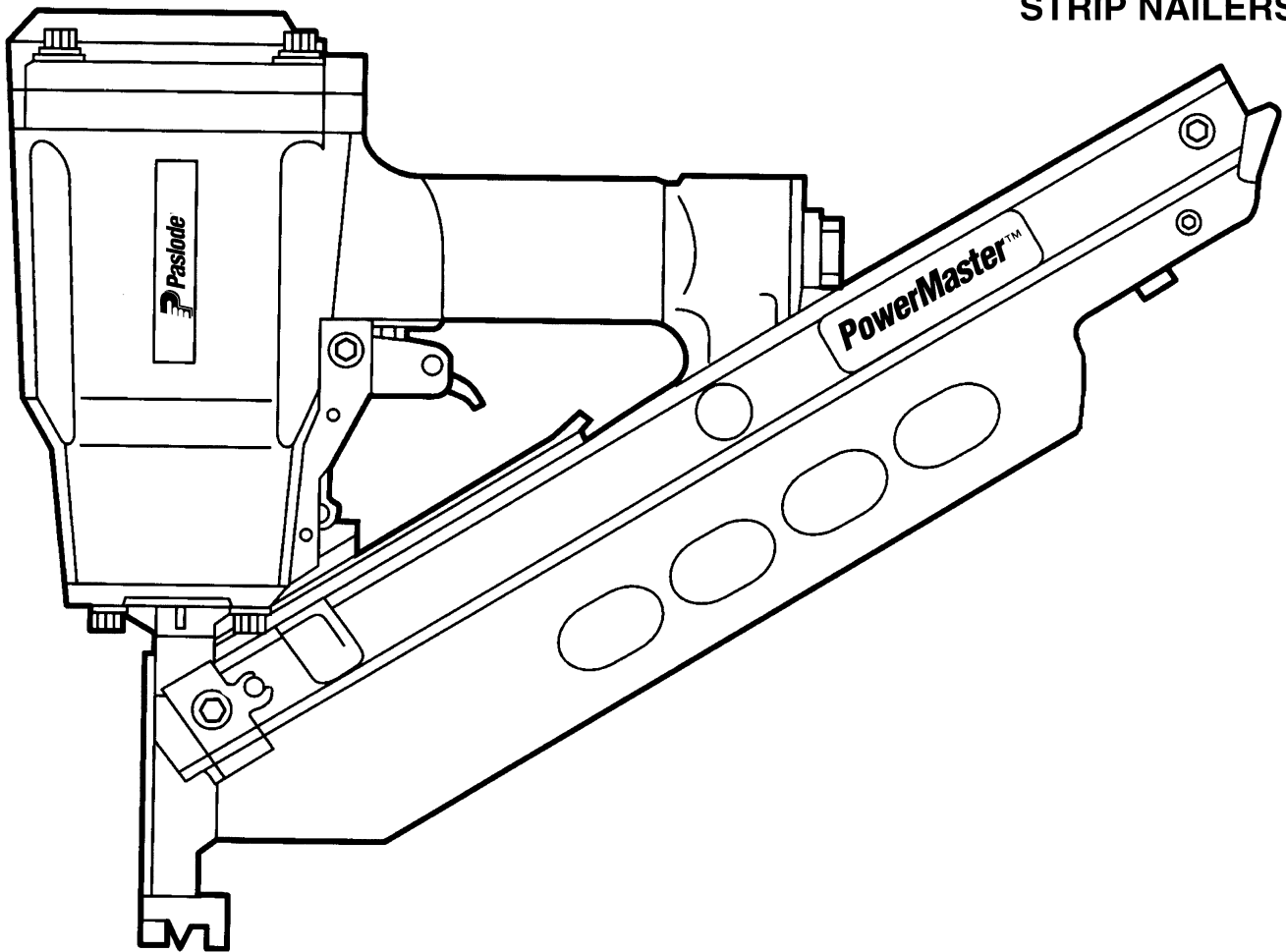


PowerMaster™

5350/90S-PM

5350/90SQ-PM

STRIP NAILERS

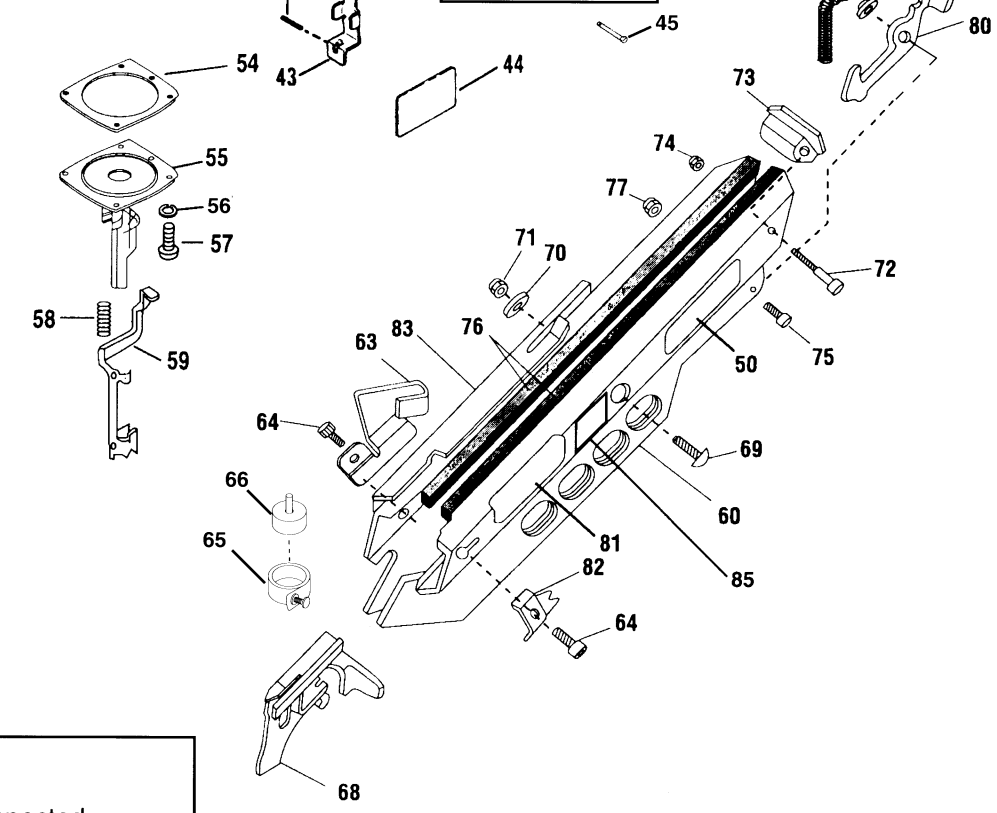
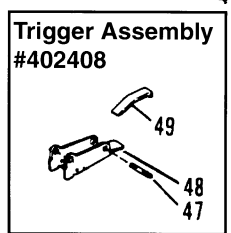
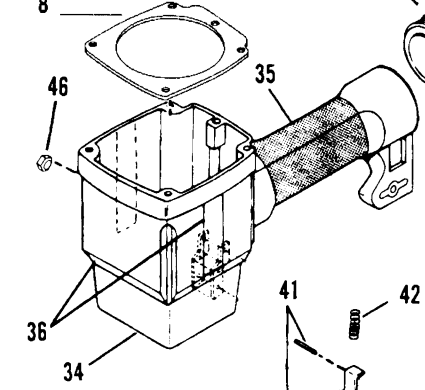
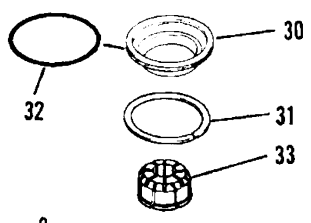
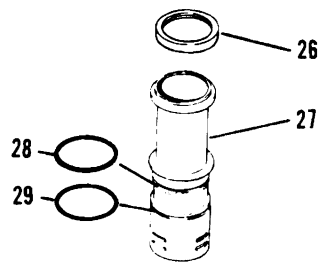
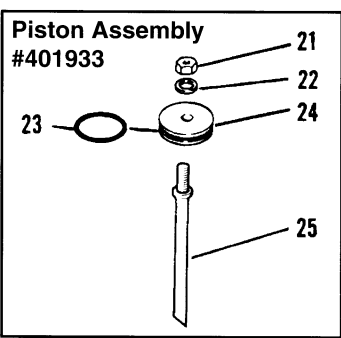
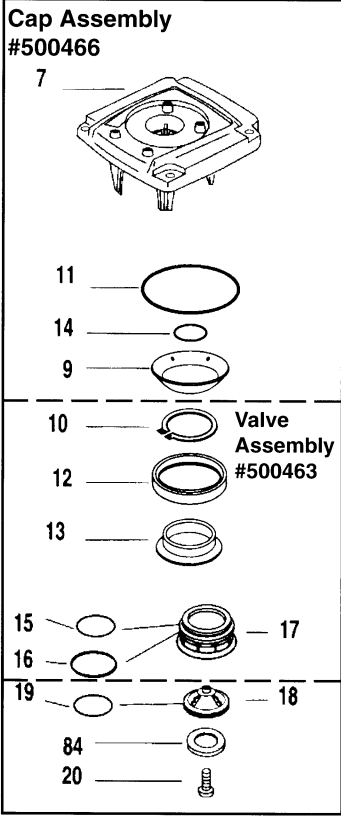
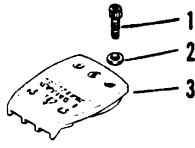
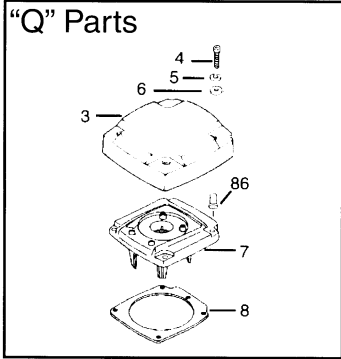


**IMPORTANT!
DO NOT DESTROY**

Always refer to safety and maintenance manual #403606 for detailed information on this tool. It is the customer's responsibility to have all operators and service personnel read and understand this information.

PowerMaster™

TOOL SCHEMATIC AND PARTS



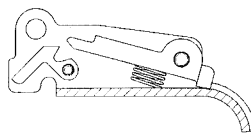
5350/90S-PM
404910
5350/90SQ-PM
500510 (Europe)

⚠ WARNING
 All Parts must be periodically inspected and replaced if worn or broken. Failure to do this can affect the tool's operation and present a safety hazard.

ACCESSORIES

Sequential Operating Kit

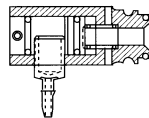
This special attachment is designed for sequential operation (stops contact firing). The operator must depress and hold the work contacting element against the work surface before pulling the trigger. This sequence must be repeated each time the tool drives a fastener.



Part No. 406006

Remote Fire Valve

This valve via a positive air signal allows a machine mounted tool to be operated from an automatic air valve or foot pedal system.



Part No. 1X0713

Adjustable Flush Drive Work Contacting Element

This Work Contacting Element has multiple settings to control depth of drive and will not mar the work surface.



Part No. 405244

No Mar Tip

For decking and siding applications where the normal work contacting element will mar the surface.



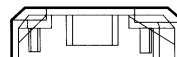
Part No. 405074

Lubricants and Loctite

Loctite 242 (Blue) Part No. 093500
 Lubricating Oil 8 oz. Part No. 219026
 Lubricating Oil with Antifreeze Part No. 219090
 Chemplex 710 Lubricant 1 lb. Part No. 403734

Silencer Kit

This kit is used to minimize the sound of the air rushing out of the air deflector during tool operation.



Part No. 402451

Degreaser Cleaner

Ideal cleaner for all Paslode® tools. Part No. 219086

Belt Hook

Part No. 219017

Safety Glasses

Clear Part No. 402510
 Tinted Part No. 402512

Trigger Valve Repair Kit

This kit repairs all trigger valve air leaks. Part No. 219224

Rafter Hanger Bracket



Part No. 219176

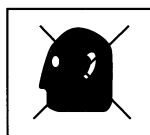
5000 Series Tool Repair Kit

This kit repairs all air leaks except for the trigger valve.

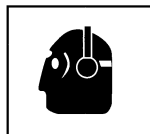
Part No. 219219

SAFETY INSTRUCTIONS

WEAR EYE AND HEARING PROTECTION

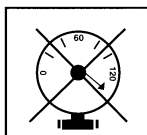


Always wear hearing protection and eye protection devices, including side shields when operating or working in the vicinity of a tool.



Never use any bottled air or gases such as oxygen to operate the tool since they could cause the tool to explode.

DO NOT EXCEED MAXIMUM RECOMMENDED AIR PRESSURE



Operate the tool using only the recommended air pressure. Do not exceed the maximum air pressure marked on the tool. Be sure the air pressure gauge is operating properly and check it at least twice a day.

