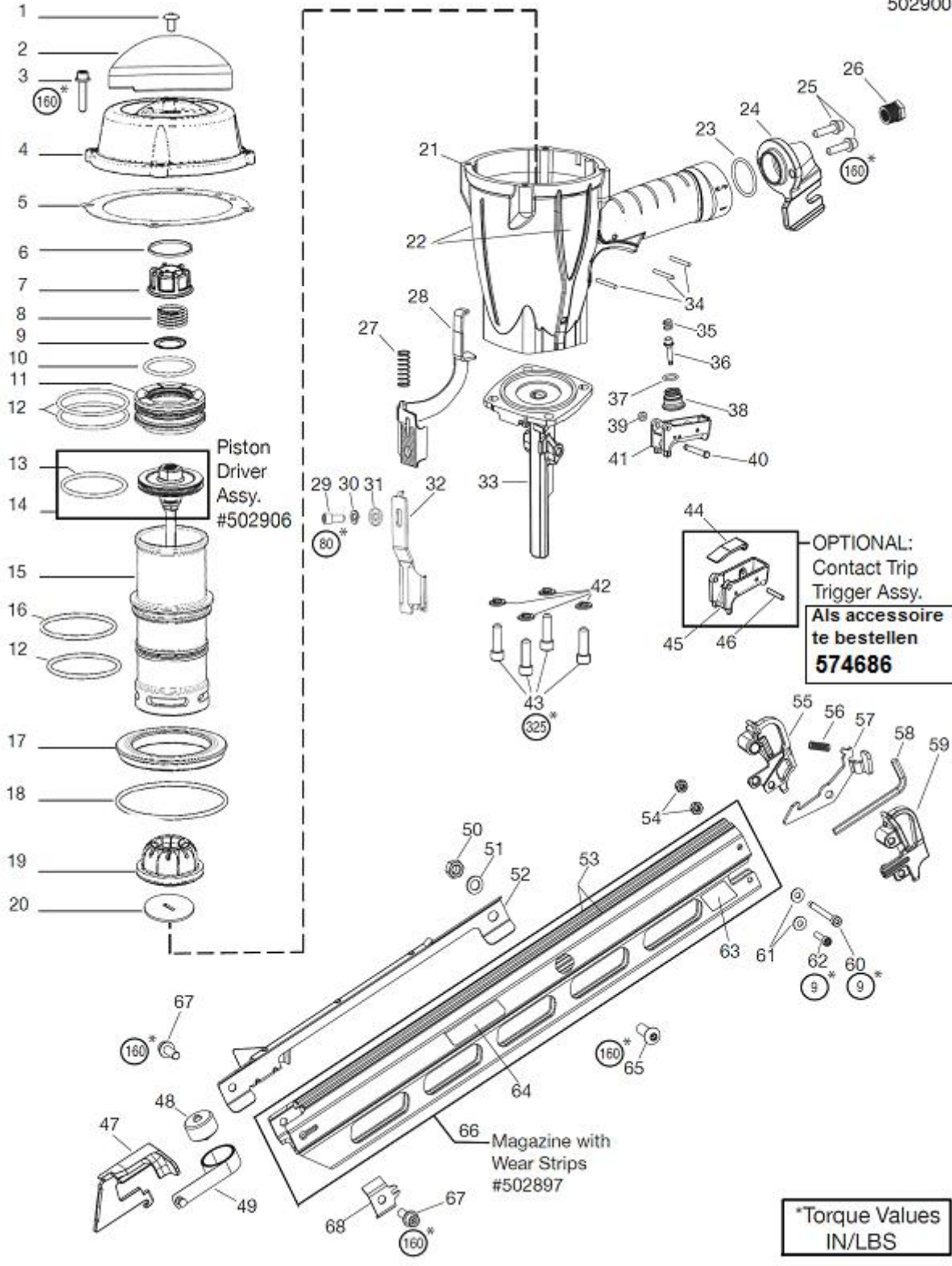


PSN100.1
502900



PARTS LEGEND PSN100.1, 502900

▲ 1	501686	1	T.H.S.C.S. 1/4 -20 x 1-1/4"	35	097748	1	Spring, Valve Pin
2	501760	1	Brush Silencer	36	097746	1	Valve Pin
3	501300	4	S.H.C.S. 1/4-20 x 1-1/4"	*37	092174	1	O-Ring, Valve Body
4	500680	1	Cap	38	401958	1	Valve Body
5	501001	1	Gasket, Cap	39	402668	1	Retaining Ring
6	500754	1	Spacer, Exhaust	40	402669	1	Pin, Trigger
7	500744	1	Stop, Piston	41	501039	1	Sequential Trigger Assembly
8	500743	1	Spring, Valve	42	095417	4	Lockwasher 5/16
9	500742	1	Seat, Spring	▲ 43	009016	4	S.H.C.S. 5/16-18 x 1"
*10	091986	1	O-Ring	47	500531	1	Follower
11	500947	1	Valve Assembly	48	501046	1	Drum Pin Assembly
*12	092235	3	O-Ring	49	500513	1	Negator Assembly
*13	092971	1	O-Ring, Piston	50	500525	1	Locknut, 5/16-24
*14	502906	1	Piston Assembly	51	404274	1	Flat Washer
15	502896	1	Sleeve	52	500717	1	Nail Cover
*16	500249	1	O-Ring	53	500520	2	Wear Strip
17	500779	1	Flange, Sleeve	54	404325	2	Stop Nut
*18	501002	1	O-Ring	55	501607	1	End Cap, Magazine-RT
*19	500866	1	Bumper	56	501028	1	Spring, Latch
20	500729	1	Blade Seal	57	500848	1	Latch
21	501286	1	Housing	58	501044	1	3/16 Hex Key, Long Arm
22	501333	1	Label, Housing-Leftside	59	501606	1	End Cap, Magazine-LF
	501334	1	Label, Housing-Rightside	60	501026	1	S.H.C.S. 8-32 x 2"
*23	092042	1	O-Ring, End Cap	61	401955	2	Flatwasher #8
24	501219	1	End Cap, Housing	62	066840	1	S.H.C.S. 8-32 x 3/4"
25	501299	2	S.H.C.S. 1/4-20 x 1"	63	502899	1	Warning Label
26	091622	1	Reducing Pipe Bushing	64	502898	1	Model Label
27	501006	1	Spring, W.C.E.	65	500516	1	B.H.C.S. -Special
28	501363	1	Upper W.C.E.	** 66	502897	1	Magazine with Wear Strips
29	091618	1	S.H.C.S. 1/4-20 x 1/2"	67	404904	2	Screw 1/4-28 x 5/8"
30	002187	1	Lock Washer	68	500509	1	Front Bracket
31	404800	1	Flat Washer				
32	500713	1	Lower W.C.E.	▲			
33	500712	1	Nose 30°				
34	071297	3	Roll Pin 1/8 x 1-1/8"				

The trigger assembly 501048 (which includes 501008, 501010 and 501009) is not supplied in the box any longer. A contact version of the tool is available from Venlo under Euro code: 574686