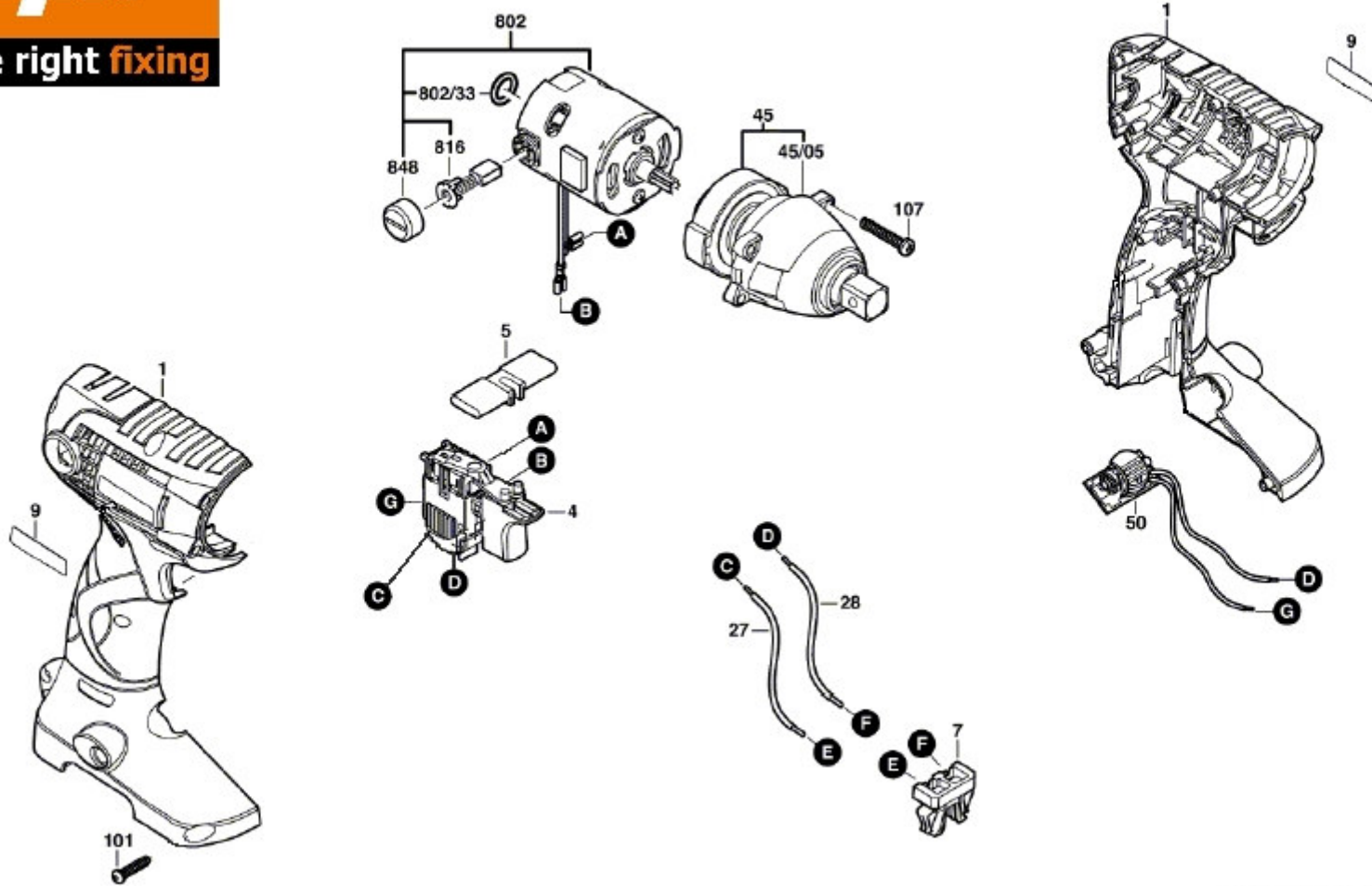


# Exploded view



## IMPACT WRENCH IWI 280



Updated : 18/06/2006

# Spare part list

		<b>Spare parts list</b>	
<b>fixez juste</b>		<b>Impact wrench IWI-280</b>	
Rep.	Code	Désignation	Description
1	652420	ENSEMBLE CARTER	HOUSING SET
4	652421	ENSEMBLE INTERRUPTEUR	SWITCH & ELECTRONIC
5	652422	POUSSOIR INVERSEUR	REVERSE TRIGGER
7	652423	PORTE CONTACTS	CONTACT RETAINER
9	652424	ETIQUETTE LATERALE	LABEL STICKER
27	652425	FIL DE CONNEXION 50MM NOIR	CONNECTING WIRE 50MM BLACK
28	652426	FIL DE CONNEXION 60MM ROUGE	CONNECTING WIRE 60MM RED
45	652427	CARTER DENGRENAGE	GEAR BOX
50	652430	DIODE	LIGHT EMITTING DIODE
101	652431	VIS DE CARTER	HOUSING SCREW
107	652432	VIS DE MAINTIENT ENGRENAGE	GEAR BOX MAINTAINING SCREW
45/05	652428	BAGUE DE PROTECTION	PROTECTIVE RING
652	652433	CAPOT	COVER
802	652434	MOTEUR 18 VOLTS	MOTOR 18 VOLTS
802/33	652435	JOINT SILENTBLOC MOTEUR	O RING
816	652436	KIT BALAIS	CARBON BRUSHES SET
848	652437	COUVERCLE BALAI	BRUSH SEALING CAP
			Updated 15/06/2007
			