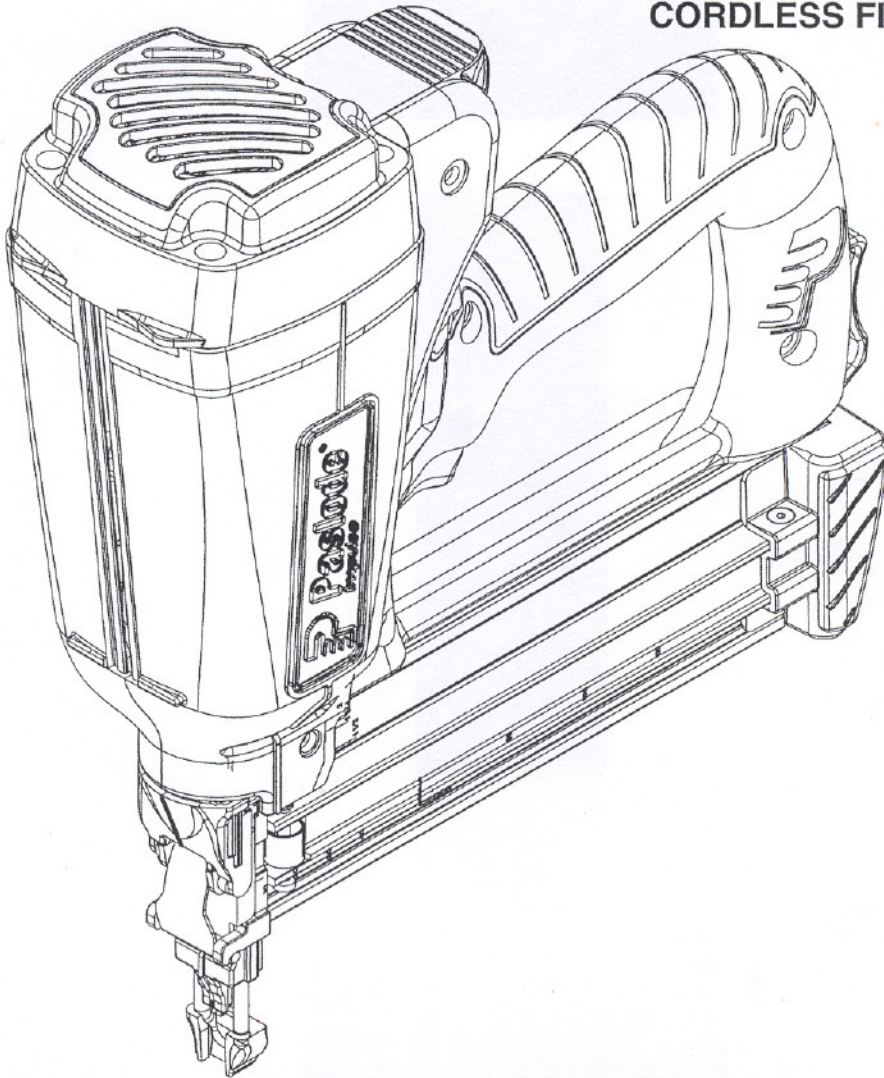




Model: IM200 F18
Part No. 901000
Cordless 18 Gauge Finish Nailer

**MODEL IM200 F-18
CORDLESS FINISH NAILER**



TOOL SCHEMATIC AND PARTS

**IMPORTANT!
DO NOT DESTROY**

Always refer to operators manual #405606 for detailed information on this tool. It is the customers responsibility to have all operators and service personnel read and understand this information.

PARTS LEGEND

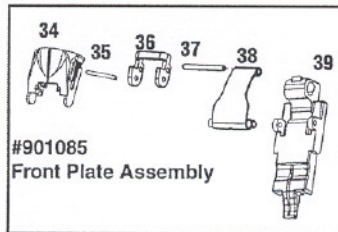
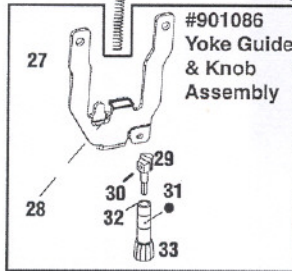
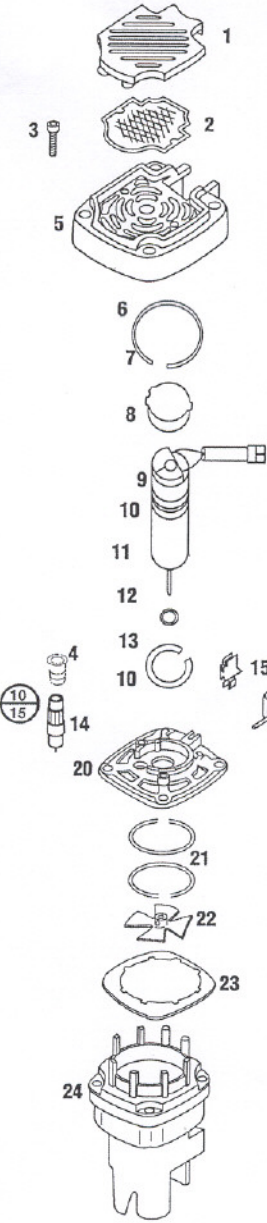
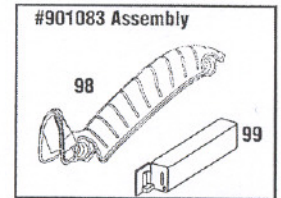
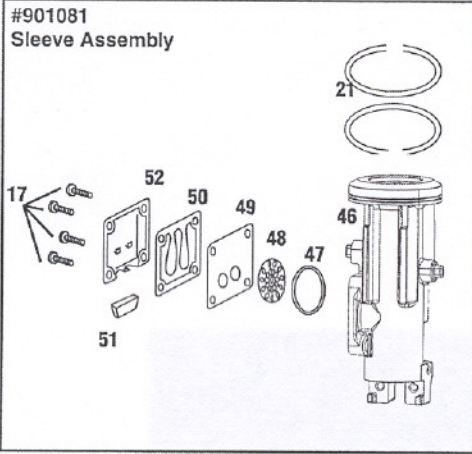
IM200 F-18 , 901000

1	900640	1	Grill	54	901059	1	Front Channel
2	900648	1	Filter	55	900598	2	Screw 10-32 x 5/16" (red)
3	901064	4	S.H.C.S. 8-32 x 1-3/8"	→ 56	901111	2	Housing Label
4	900785	1	Spark Plug Sleeve	→ 57	901100	1	Nameplate
5	900639	1	Cap	58	404385	1	Light Pipe
6	900649	1	Retaining Ring	59	901079	1	Handle Right Side
7	900716	1	Cover/Tension Reliever	60	900289	1	Belt Hook
8	900524	1	Fan Motor Assembly	61	901019	1	Torsion Spring Magazine Latch
9	900468	1	Washer, Motor Shaft	62	900353	1	Pivot Pin
10	900647	1	Retaining Ring	63	901014	1	Magazine Latch Release
11	900624	1	Motor Mount Assembly	64	901061	2	Screw 6-32 x 3/16 BH
12	900646	1	Wave Washer	66	901013	1	Magazine End Cap
13	401356	1	Motor Sleeve	**67	900496	1	Warning Label
14	900714	1	Spark Plug Assembly	68	900508	1	International Label
15	900674	1	Wire Clip	69	404922	2	Battery Contact Pad
16	900697	1	Stem Adapter	70	901095	1	Switch Side Assembly
17	405140	4	Screw 8-32 x 7/16" (red)	71	900754	2	Screw 8-32 x 1/2" (yellow)
18	900596	1	Screw, Sem 8-32 x 7/16"	72	901032	2	Bushing, Handle
19	900739	1	Cylinder Head Circuit Board Assembly	73	901084	1	Magazine Wear Strip Assembly
20	900605	1	Cylinder Head	■ 74	900660	2	Screw 10-32 x 3/8"
21	900612	4	Seal Ring	75	901062	1	Screw 6-32 x 1/8"
22	900709	1	Fan Assembly	76	901012	1	Magazine Cover
23	900700	1	Air Dam	77	901015	1	Follower
24	900729	1	Combustion Chamber Assembly	78	901018	1	Magazine Pin
25	900746	2	Screw 8-32 x 7/16 phtx	79	901055	1	O-ring
26	901038	1	Spring	80	901052	1	Spring Cover
27	901037	1	Yoke	81	901016	1	Constant Force Spring
28	901039	1	Yoke Support	82	901017	1	Spool Spring
29	901029	1	Yoke Guide	83	900748	1	Washer
30	900734	1	Roll Pin	84	900735	1	Screw
31	900645	1	Ball, Knob	85	901080	1	Handle Left Side
32	900361	1	Retaining Clip	86	901066	4	Screw- Plastite
33	900727	1	Knob Assembly	87	900703	1	Handle Bracket
34	901009	1	Latch Cover Quick Clear	88	900755	1	Bushing Actuator
35	900685	1	Spring Pin	89	900788	1	Actuator Assembly
36	901005	1	Latch Clip	90	404433	1	Pin Actuator
37	901049	1	Spring Pin	91	900765	1	Spark Plug Wire Assembly
38	901006	1	Spring Clip Assembly	92	900663	1	Fan Wire Assembly
39	901002	1	Front Plate	93	901050	1	Molded Circuit Assembly
40	901048	1	Probe Tip	94	901021	1	Piston Bumper
41	901007	1	Probe	95	901078	1	Piston Assembly
42	901026	2	Screw 10-24 x .75	96	901040	1	Piston Ring
43	901003	1	Back Plate	97	901036	1	Retaining Ring
44	901025	1	Support Pin	98	901044	1	Soft Grip
45	901004	1	Front Plate Support	99	900672	1	Electronic Spark Unit
46	901081	1	Sleeve Assembly	100	900662	1	ESU Power Wire Assembly
47	900616	1	O-Ring	101	901045	1	Trigger
48	901089	1	Exhaust Baffle	102	900608	1	Trigger Spring Bushing
49	900665	1	Reed Plate	103	901047	1	Trigger Pin
50	900664	1	Reed Valve	104	901053	1	Trigger Spring
51	900609	1	Muffler	105	404702	3	Screw 6-32 x 3/8"
52	900668	1	Muffler Cover	106	900629	1	HighTension Clip
				107	900312	1	Contact Positive
				108	900311	1	Contact Negative

■ Apply Loctite RC-620 (Green) Part No.401491

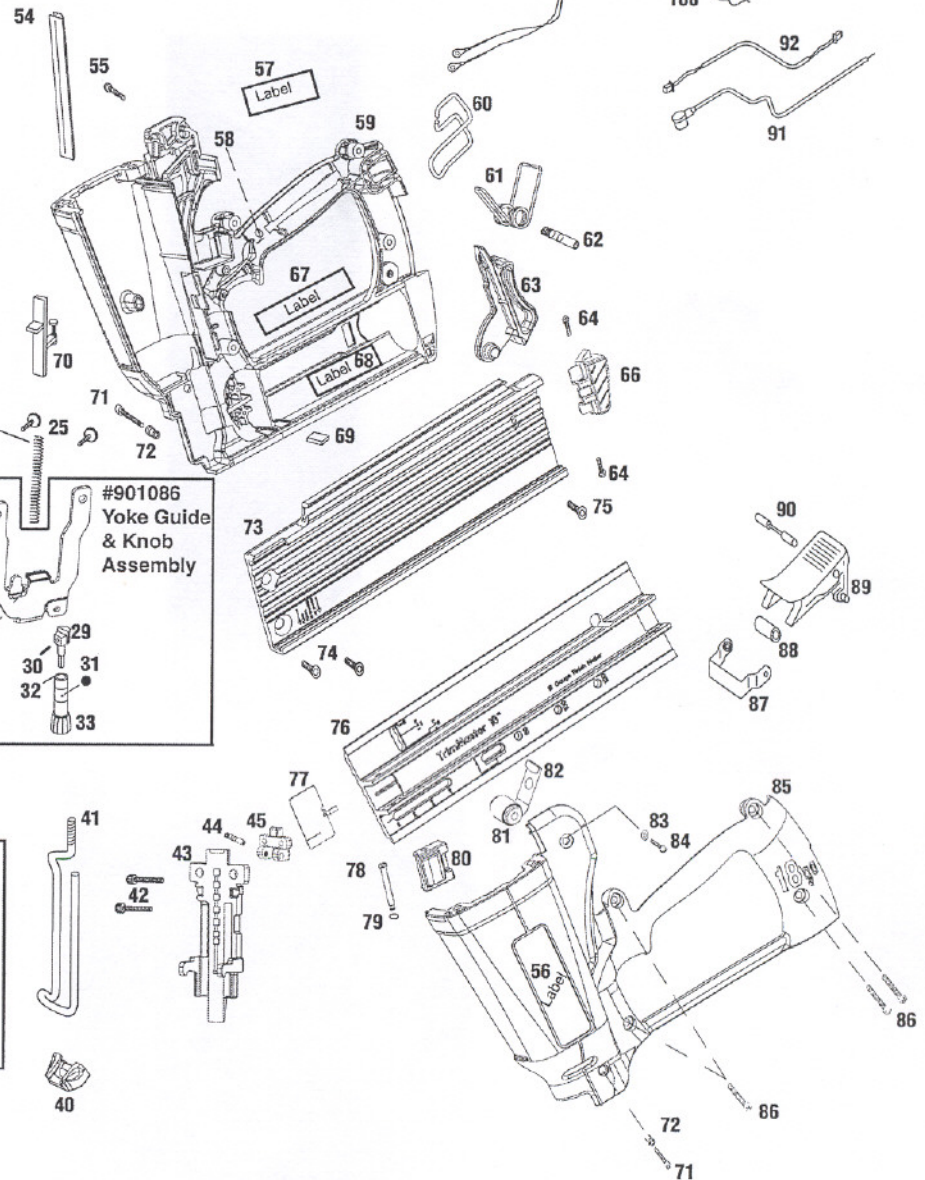
** Make sure Warning Label (900496) is properly affixed replace if necessary. Label is available at no charge through the Service Dept.

→ Denotes Change



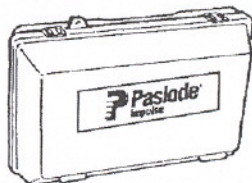
TORQUE VALUES

MIN	IN/LBS
MAX	



ACCESSORIES

Cordless Nailer Case



Part No. 901058

Battery Cell



Part No. 404717

Impulse Oil

Part No. 401482

Torx Key - T7

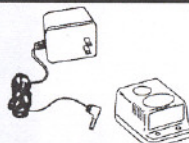
For tightening fan blade to motor

Part No. 900183

Battery Charger Kit

(Replacement Charger Base only Part No. 900476)

(Replacement Transformer Only Part No. 900477)



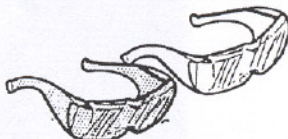
Part No. 900200

Clear Safety Glasses

Part No. 402510

Tinted Safety Glasses

Part No. 402512



Degreaser Cleaner

Ideal cleaner for all Paslode tools

Part No. 219086

Service Tool Kit

A 19 piece tool kit containing all the necessary tools to repair any Impulse tool.

Part No. 401498

No- Mar Tip - Hard Tip

Part No. 901048

No- Mar Tip - Soft Tip

Part No. 901067

High Altitude Fuel Cell Valve - 4 pack

For use in elevations above 4000 feet.

Part No. 219247



An Illinois Tool Works Company
888 Forest Edge Drive
Vernon Hills, Illinois 60061