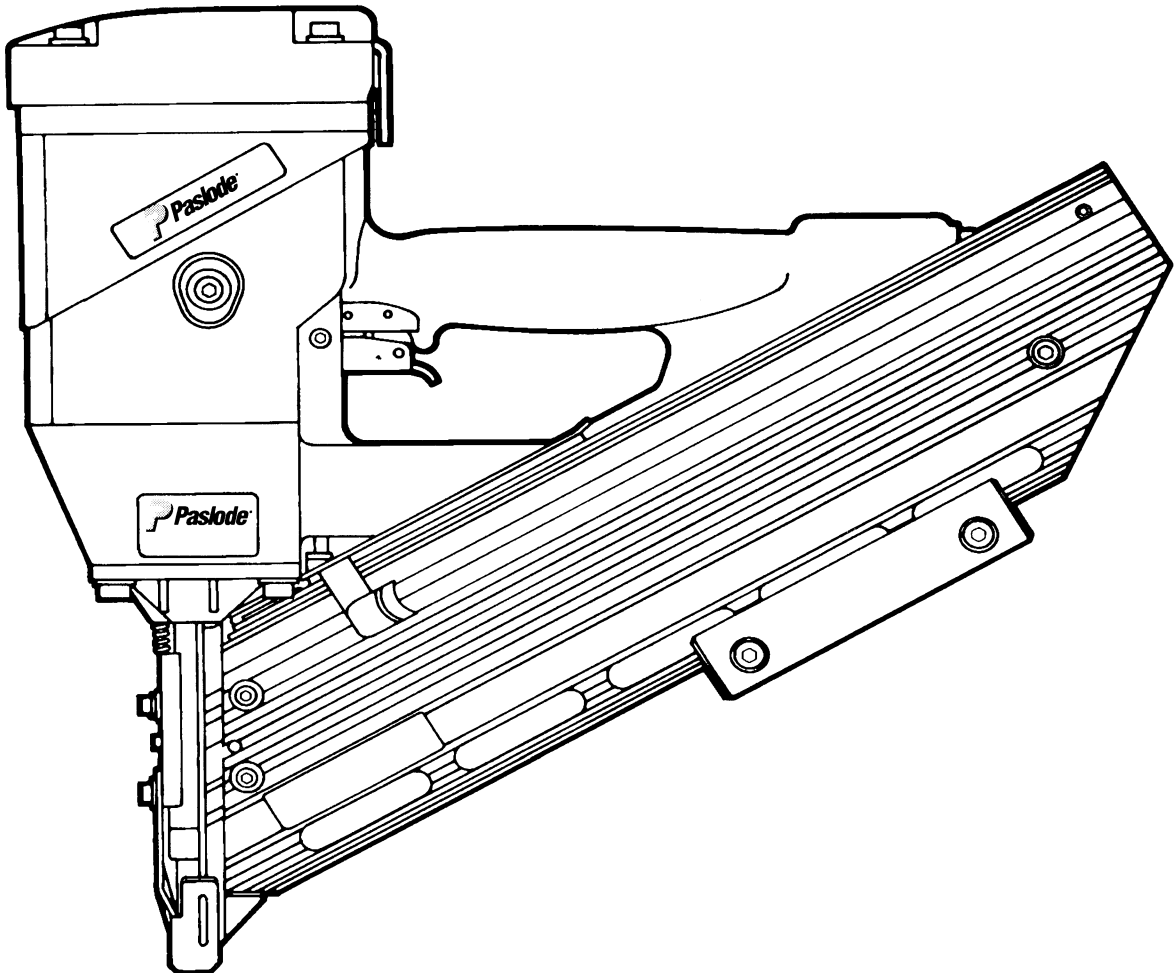




MODEL 6512/130SQ STRIP NAILER
MODEL 6625/160SQ STRIP NAILER



TOOL SCHEMATIC AND PARTS

IMPORTANT!
DO NOT DESTROY

Always refer to safety and maintenance manual #403606 for detailed information on this tool. It is the customer's responsibility to have all operators and service personnel read and understand this information.

MODEL 6512/130SQ, 500450
MODEL 6625/160SQ, 500540

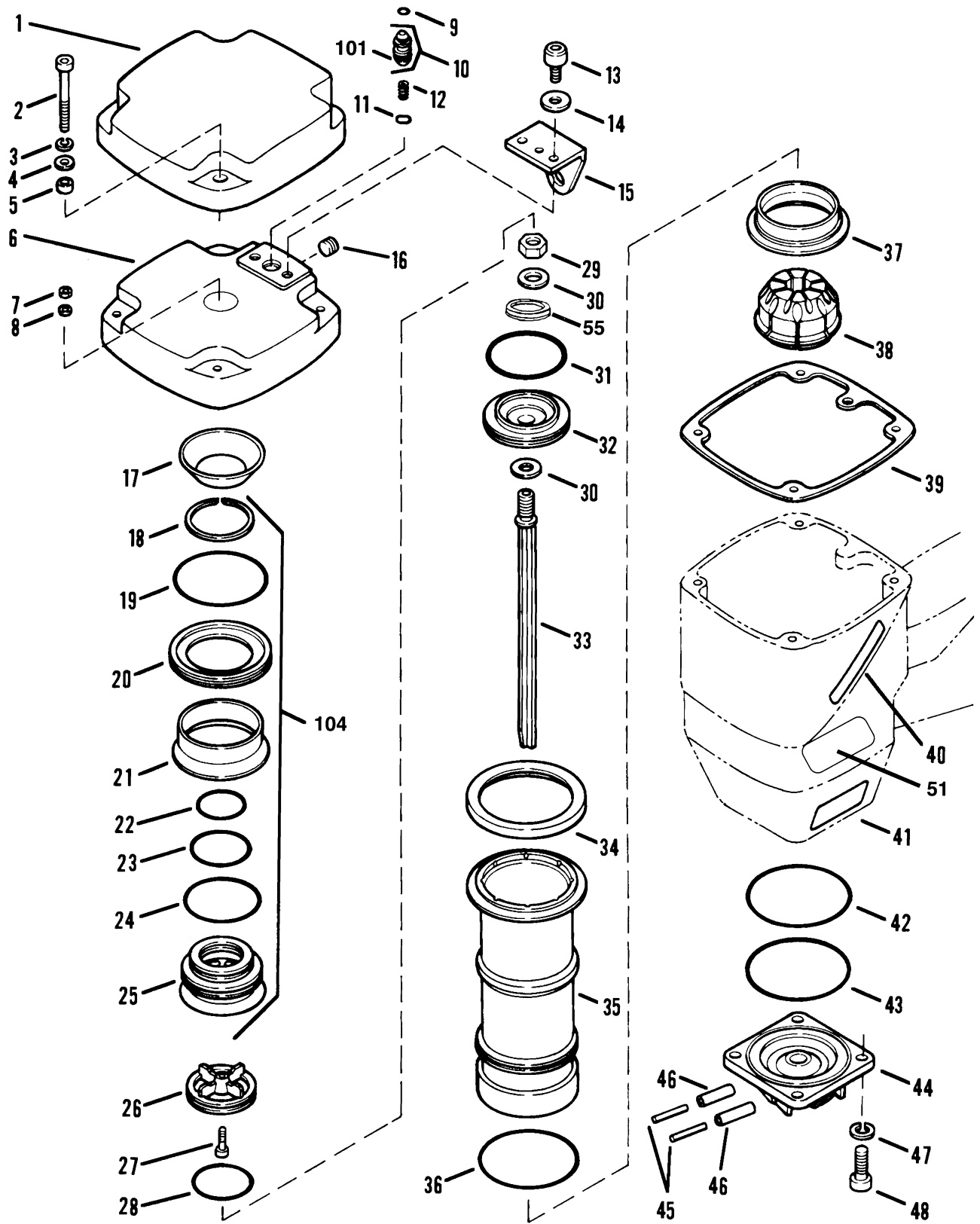
PARTS LEGEND

1	500444	1	Silencer Cap	53	500432	1	Acorn Nut, 5/16-24
2	404229	4	Socket Head Cap Screw, 1/4-20 x 2-1/4 (6512/130SQ)	54	094742	1	Washer, .312 x.75 x.062
	404367	4	Socket Head Cap Screw, 1/4-20 x 3-1/4 (6625/160SQ)	55	500453	1	Piston Bumper
3	002187	8	Lock Washer, 1/4-20	56	500434	2	Housing Plug, 1/2"
4	091447	4	Flat Washer	57	097748	1	Spring, Valve Pin
5	500487	4	Spacer, Silencer Cap	58	097746	1	Valve Pin
6	500416	1	Cap, Machined (6512/130SQ)	59	092174	1	O-Ring, Valve Body
	500418	1	Cap, Machined (6625/160SQ)	60	401958	1	Valve Body
7	404325	4	Locknut, 8-32	61	500479	2	Flanged Bearing
8	401955	3	Washer, 8-32	62	500365	1	Rod, Work Contacting Element Actuation
* 9	500485	1	O-Ring (-203)	63	500445	1	Spring, Work Contacting Element Rod
10	500335	1	Shuttle Valve Assembly	64	006057	1	Washer, .219 I.D.
* 11	402031	1	O-Ring (-109)	65	500383	1	Retaining Ring
12	091339	1	Spring, Shuttle Valve	66	500569	1	Side Handle Assembly
13	009016	3	Socket Head Cap Screw, 5/16 x 1	67	095412	1	Washer, .376 I.D.
14	095417	2	Lock Washer, 5/16	68	500350	1	Magazine (6512/130SQ)
15	500443	1	Hanging Bracket		500351	1	Magazine (6625/160SQ)
16	500387	1	Cap Plug, 1/8 NPT	* 69	500354	1	Wear Strip, Right (6512/130SQ)
17	500407	1	Main Valve Spring		500425	1	Wear Strip, Right (6625/160SQ)
18	500371	1	Retaining Ring	* 70	500353	1	Wear Strip, Left
* 19	402961	1	O-Ring (-233)	71	404325	1	Lock Nut, 8-32
20	500340	1	Upper Valve Piston	72	500356	1	Spacer, Magazine
21	500339	1	Seal, Main Valve	73	500384	3	Socket Head Cap Screw, 8-32 x 1.25
* 22	401951	1	O-Ring (-126)	74	500489	1	Button Head Cap Screw, 5/16-24 x 1.25
* 23	091208	1	O-Ring (-032)	75	500441	2	Grip, Magazine
* 24	500367	1	O-Ring (-035)	76	500435	2	Bushing, Grip
25	500341	1	Lower Valve Piston	** 77	500446	2	Label, Danger
26	500360	1	Post	78	095411	4	Cap Screw, 1/4-20
▲ 27	404232	1	Socket Head Cap Screw, 8-32 x.813	79	500386	4	Bushing, Magazine
* 28	500369	1	O-Ring (-133)	80	500377	1	Follower
29	091861	1	Lock Nut	81	091825	1	Pin, Negator
30	092116	2	Washer	82	091826	1	Drum, Negator
* 31	500480	1	O-Ring (4 x 60 Metric)	83	091840	1	Negator Assembly
32	500337	1	Piston	▲ 84	009037	2	Socket Head Cap Screw, 10-32 x 1/2
* 33	500373	1	Driver Blade (6512/130SQ)	85	004238	2	Lock Washer, No. 10
	500374	1	Driver Blade (6625/160SQ)	86	402094	2	Flat Washer, No. 10
34	500338	1	Sleeve Seal	* 87	500363	1	Lower Work Contacting Element (6512/130SQ)
35	500336	1	Sleeve (6512/130SQ)		500375	1	Lower Work Contacting Element (6625/160SQ)
	500342	1	Sleeve (6625/160SQ)	88	500362	1	Intermediate Work Contacting Element
* 36	500366	1	O-Ring (-139)	89	500436	1	Spring, Work Contacting Element
37	500352	1	Bumper Plate	90	402095	1	Nut Bar
* 38	500376	1	Bumper	91	500349	1	Nosepiece (6512/130SQ)
* 39	500357	1	Gasket, Cap		500344	1	Nosepiece (6625/160SQ)
40	404937	2	Label, Upper Housing	92	500358	1	Seal, Nose
41	096893	1	Nameplate	93	500361	1	Pin, Lockout
* 42	500486	1	O-Ring (-234)	94	500422	1	Shear Block Assembly (6512/130SQ)
* 43	500368	1	O-Ring (-042)		500423	1	Shear Block Assembly (6625/160SQ)
44	500343	1	Flange	95	403082	2	Washer
45	500382	2	Roll Pin, 5/32 x 1.25	96	402738	1	Spring, Lockout
46	500381	2	Roll Pin, .25 x 1.25	97	500372	1	Retaining Ring
47	500380	5	Lock Washer, 3/8	98	095417	1	Lock Washer, 5/16
▲ 48	092171	5	Socket Head Cap Screw, 3/8 x 1	99	034976	1	Nut, Flexlock, 5/16
* 49	091623	1	O-Ring (-011)	100	026133	2	Roll Pin, 1/8 x 1
50	500378	1	Housing Assembly	101	092048	1	O-Ring (-012)
** 51	500442	1	Warning Label	102	402079	1	Pin, Trigger
52	500522	1	Reducing Pipe Bushing	103	406006	1	Sequential Trigger Assembly
				104	500421	1	Main Valve Assembly

▲ Apply Loctite (Blue), Part No. 093500

* Denotes Normal Wear Item

** Make sure Danger (500446) and Warning Labels (500442) are properly affixed. Replace if necessary. The labels are available at no charge through the Service Department.

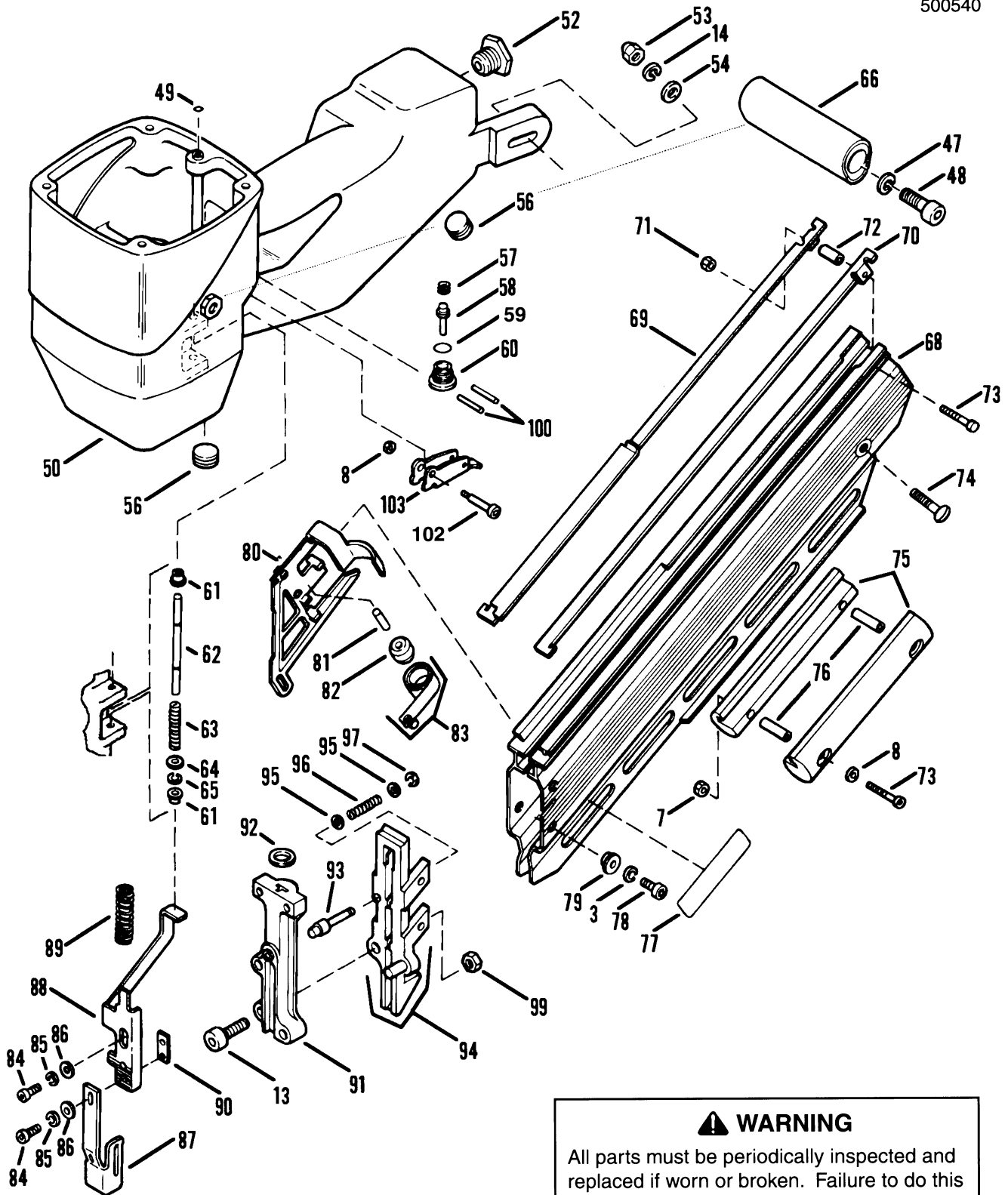


6512/130SQ

500450

6625/160SQ

500540



⚠ WARNING

All parts must be periodically inspected and replaced if worn or broken. Failure to do this can affect the tool's operation and present a safety hazard.

PARTS OFFERED AS ASSEMBLIES

500427 Cap Assembly (6512/130SQ)

500428 Cap Assembly (6625/160SQ)

Includes

6	500416	1	Cap
	500418	1	Cap
7	404325	1	Lockout Nut, 8-32
8	401955	1	Washer, 8-32
9	500485	1	"O" Ring
10	500335	1	Shuttle Valve Assembly
11	402031	1	"O" Ring
12	091339	1	Spring Shuttle Valve
13	009016	2	Socket Head Cap Screw, 5/16 x 1
14	095417	2	Lock Washer, 5/16
15	500443	1	Hangind Bracket
16	500387	1	Cap Plug, 1/8 NPT
17	500407	1	Main Valve Spring
18	500371	1	Retaining Ring
19	402961	1	"O" Ring
20	500340	1	Upper Valve Piston
21	500339	1	Seal, Main Valve
22	401951	1	"O" Ring, Lower Valve Piston
23	091208	1	"O" Ring, Lower Valve Piston
24	500367	1	"O" Ring, Lower Valve Piston
25	500341	1	Lower Valve Piston
26	500360	1	Post
27	404232	1	Socket Head Capscrew
28	500369	1	O-Ring

500421 Main Valve Assembly

Includes

18	500371	1	Retaining Ring
19	402961	1	"O" Ring Upper Valve Piston
20	500340	1	Upper Valve Piston
21	500339	1	Seal, Main Valve
22	401951	1	"O" Ring, Lower Valve Piston
23	091208	1	"O" Ring, Lower Valve Piston
24	500367	1	"O" Ring, Lower Valve Piston
25	500341	1	Lower Valve Piston

500424 Piston Assembly (6512/130SQ)

500426 Piston Assembly (6625/160SQ)

Includes

29	091861	1	Nut
30	092116	1	Washer
31	500480	1	"O" Ring, Piston
32	500337	1	Piston
33	500373	1	Driver Blade (6512/130)
	500374	1	Driver Blade (6625/160)
55	500453	1	Piston Bumper

SAFETY INSTRUCTIONS

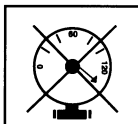
WEAR EYE AND HEARING PROTECTION



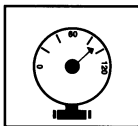
Always wear hearing protection and eye protection devices, including side shields when operating or working in the vicinity of a tool.



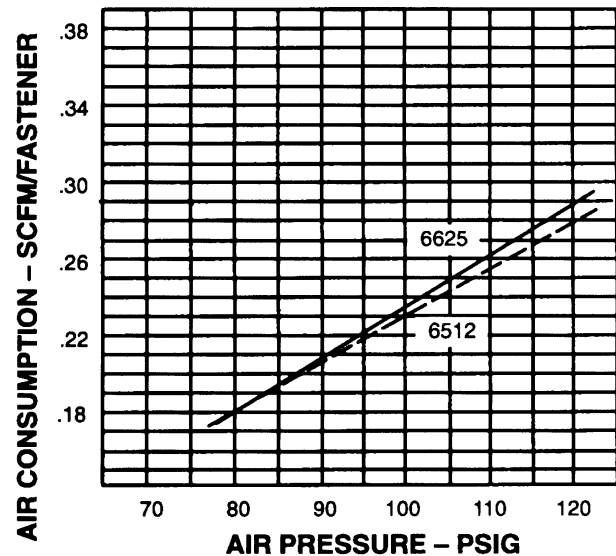
DO NOT EXCEED MAXIMUM RECOMMENDED AIR PRESSURE



Operate the tool using only the recommended air pressure. Do not exceed the maximum air pressure marked on the tool. Be sure the air pressure gauge is operating properly and check it at least twice a day.



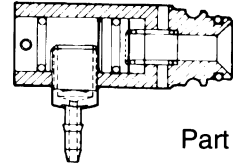
AIR CONSUMPTION CHART



ACCESSORIES

Remote Fire Valve

This valve via a positive air signal allows a machine mounted tool to be operated from an automatic air valve or foot pedal system.



Part No. 1X0713

Lubricants and Loctite

Loctite 242 (blue) 1 oz.

Part No. 093500

Lubricating Oil 8 oz.

Part No. 219026

Lubricating Oil with Antifreeze 8 oz.

Part No. 219090

Chemplex 710 Lubricant 1lb.

Part No. 403734

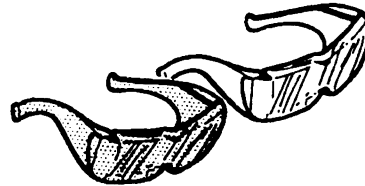
Degreaser Cleaner

Ideal cleaner for all Paslode tools.

Part No. 219086

Safety Glasses

Clear



Part No. 402510

Tinted

Part No. 402512



An Illinois Tool Works Company
888 Forest Edge Drive
Vernon Hills, IL 60061-3105