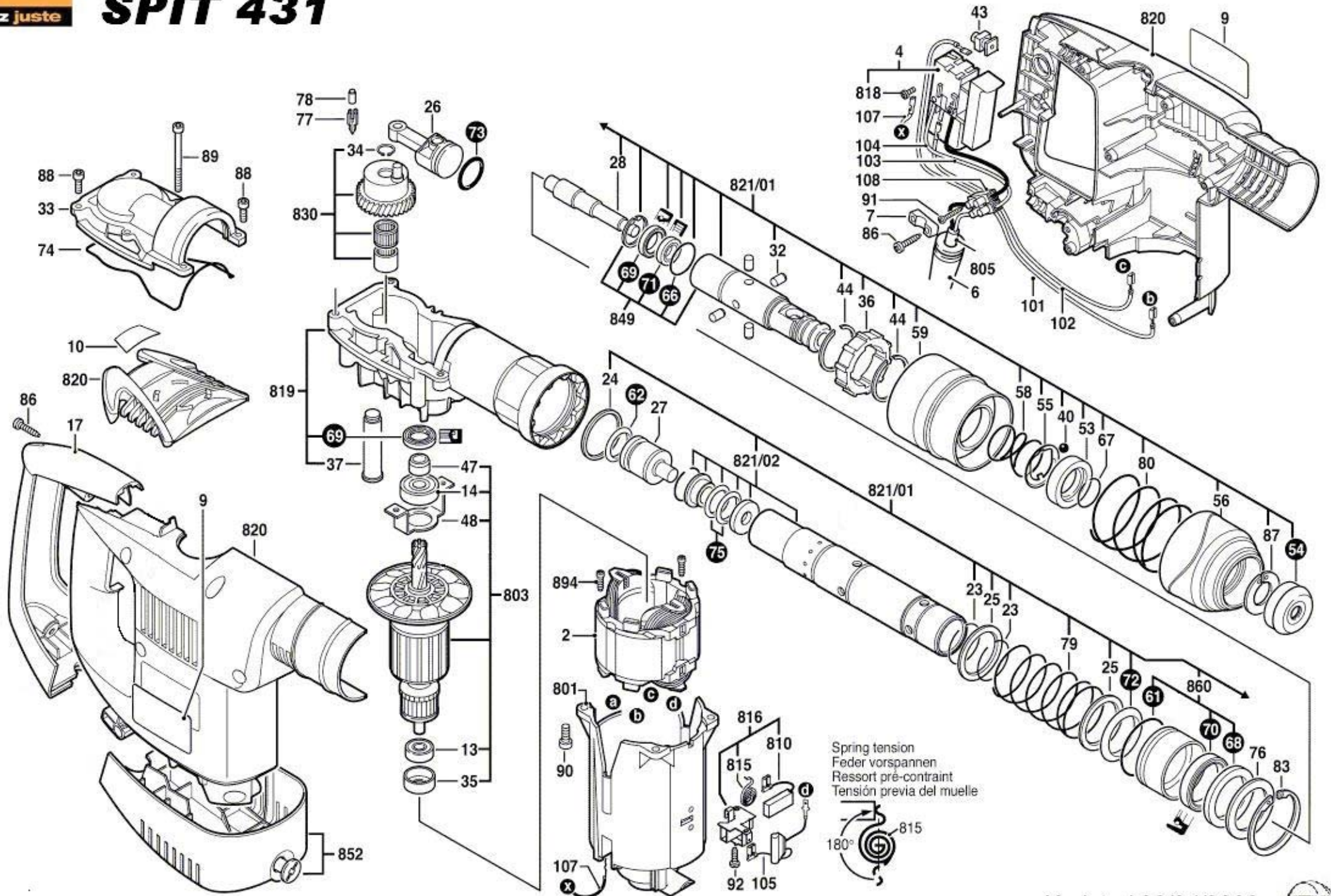


# SPIT 431



Spring tension  
 Feder vorspannen  
 Ressort pré-contraint  
 Tensión previa del muelle





# Pièces de rechange SPIT 431

Repère	Code	Désignation	Description	Repère	Code	Désignation	Description
2	652203	STATOR 230V	FIELD COLD 230V	74	652239	JOINT COUVERCLE ENGRENAGE	SEALING FRAME
4	652204	INTERRUPTEUR	ON-OFF SWITCH	75	652240	RONDELLE AMORTISSEUR	O RING
6	363090	PROTEGE CABLE	GROMMET	76	652241	RONDELLE D APPUI	SUPPORTING DISC
7	652205	SERRE CABLE	CABLE CLIP	77	652242	SUPPORT MAGNETIQUE	MAGNETIC STAND
9	652206	ETIQUETTE LATERALE	SIDE LABEL	78	652243	AIMANT	MAGNET
10	652207	ETIQUETTE SUPERIEURE	TOP LABEL	79	652244	RESSORT DE COMPRESSION	COMPRESSION SPRING
13	652208	ROULEMENT COTE COLLETEUR	DEEP GROOVE BALL BEARING	80	355240	RESSORT MANCHON	SPRING
14	652209	ROULEMENT D INDUIT	AMATURE BALL BEARING	83	010263	CLIPS RETENUE PALIER CYLINDRE	CIRCLIP TOOL HOLDER
17	010247	POIGNEE ARRIERE	REAR HANDLE	86	010265	VIS	SCREW
23	652211	JONC D ARRET	SNAP RING	87	010266	BAGUE RETENUE MANCHON	CIRCLIP RETAIN
24	652212	RONDELLE D APPUI	SUPPORTING DISC	88	652245	VIS DE CARTER D ENGRENAGE	GEAR COVER CAP SCREW
25	652213	RONDELLE D APPUI	SUPPORTING DISC	89	652246	VIS DE CARTER LONGUE	GEAR COVER CAP SCREW
26	652214	PISTON DE MARTEAU	HAMMER PISTON	90	652247	VIS CARTER STATOR	SCREW
27	652215	FRAPPEUR	STRIKER	91	652248	VIS CONNECTEUR	SELF TAPPING SCREW
28	652216	PERCUTEUR	STRIKER PIN	92	363410	VIS PORTE CHARBON	BRUSH HOLDER SCREW
32	652217	CLAVETTE CYLINDRE	CYLINDER ROLLER	101	652202	FIL CONNEXION STATOR	CONNECTING CABLE
33	652218	COUVERCLE D ENGRENAGE	GEAR COVER	102	010268	FIL CONNEXION STATOR	CONNECTING CABLE
34	652219	ANNEAU D ARRET	LOCKING WASHER	103	652249	FIL DE CONNEXION 180MM BLEU	CONNECTING CABLE 18MM BLUE
35	652220	CAGE DE ROULEMENT	BEARING CAP	104	652250	FIL DE CONNEXION	CONNECTING CABLE
36	652221	ANNEAU A CRABOTS	COLLAR	105	010272	RESISTANCE	CONNECTING CABLE
37	652222	AXE D EXCENTRIQUE	ECCENTRIC SHAFT	107	652251	FIL DE CONNEXION	CONNECTING CABLE
40	010254	BILLE DE RETENUE	BALL TOOL HOLDER	108	652252	BORNE 2 POLES	TERMINAL 2 POLES
43	010255	INSERT VISSAGE POIGNEE ARR.	CLIP BACK HANDLE	801	010219	CHEMISE ISOLANTE	ISOLATING HOUSING
44	652223	JONC D ARRET	SNAP RING	803	652253	ENS. INDUIT 230V	ARMATURE SET 230V
47	652224	BAGUE D INDUIT	ARMATURE RING	805	652254	CABLE D ALIMENTATION	POWER CORD 2X1mm H07RN-F
48	652225	TOLE DE FIXATION	FIXING PLATE	810	010223	PAIRE DE CHARBON	CARBON BRUSH SET
53	652226	BAGUE ANTIFRICTION	THRUST RING	816	010225	KIT PORTE CHARBON	BRUSH HOLDER SET
54	010205	CAPUCHON ANTI POUSSIERE	CAP PROTECTIVE	818	010226	VIS INTERRUPTEUR	SWITCH SCREW
55	652227	TOLE DE MAINTIEN	HOLDING PLATE	819	652255	ENS.CARTER D ENGRENAGE	GEAR HOUSING SET
56	652228	MANCHON DE PROTECTION	PROTECTION SLEEVE	820	652256	ENS. CARTER	HOUSING SECTION RIGHT AND LEFT
58	652229	RESSORT DE COMPRESSION	COMPRESSION SPRING	830	652260	ENS. EXCENTRIQUE	ECCENTRIC SET
59	652230	DOUILLE POUSSOIR	SLIDE SLEEVE	849	652262	PORTE OUTIL	TOOL HOLDER
61	652231	JOINT 39X3MM	O RING 39X3MM	852	010234	COUVERCLE CARTER	HOUSING COVER
66	652232	JOINT	O RING	860	652261	ENS. PALIER GLISSEUR	FRICTION BEARING SET
67	010207	JONC D ARRET PORTE OUTIL	RETAINING RING	894	010236	VIS STATOR	FIELD SCREW
68	652233	RONDELLE FEUTRE	FELT WASHER	897	652199	KIT ENTRETIEN	SERVICE PACK
69	652234	JOINT A LEVRE PORTE OUTIL	RADIAL LIP TYPE OIL SEAL	898	010238	KIT HUILE JOINT	OIL AND SEAL SET
71	652236	FEUTRE	RADIAL LIP TYPE OIL SEAL	821/01	652263	ENS.PORTE OUTIL COMPLET	TOOL HOLDER SET ASSY
72	652237	JOINT	O RING	821/02	652258	ENS. CYLINDRE	CYLINDER SET
73	652238	JOINT DE PISTON	PISTON O RING		010229	POIGNEE AUXILIAIRE	AUXILIARY HANDLE
					652200	KIT ENTRETIEN COMPLET	COMPLETE MAINTENANCE KIT