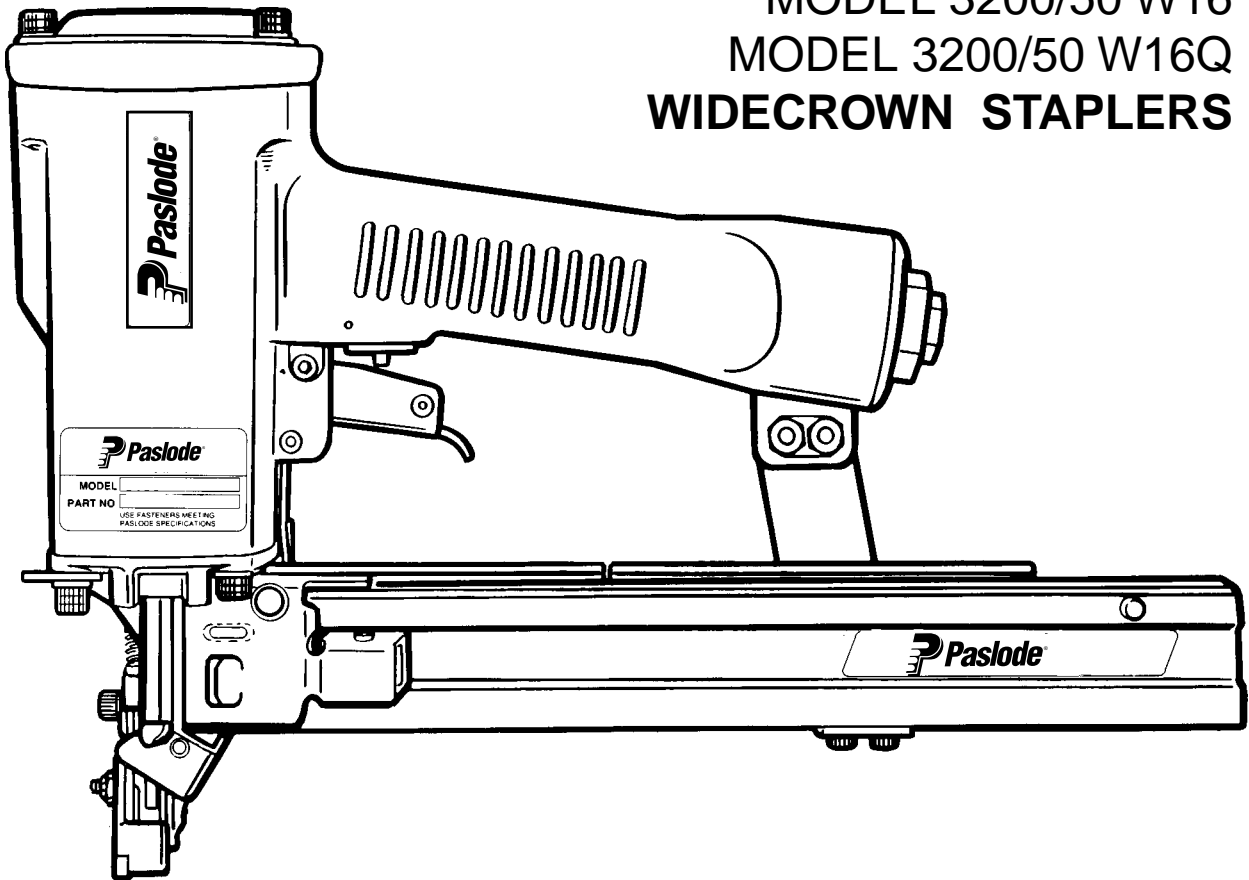




MODEL 3150/38 W16  
MODEL 3150/38 W16Q  
MODEL 3150/38 W16BF  
MODEL 3200/50 W16  
MODEL 3200/50 W16Q  
**WIDECROWN STAPLERS**



## TOOL SCHEMATIC AND PARTS

**IMPORTANT!**  
**DO NOT DESTROY**

Always refer to safety and maintenance manual #403606 for detailed information on this tool. It is the customer's responsibility to have all operators and service personnel read and understand this information.

3150/38 W16, 402750

3200/50 W16, 402775

3150/38 W16BF, 500572

3200/50 W16Q, 404250 (EUROPE)

# PARTS LEGEND

3150/38 W16Q, 404249 (EUROPE)

1	092735	4	Socket Head Capscrew, 1/4-20 x 1-1/4"	46	092037	5	Lock Nut, #10 - 32
1A	091362	4	Socket Head Capscrew, 1/4 - 20 x 1-1/2"	47	402781	1	Rail Bracket
2	002187	8	Lock Washer, 1/4"	▲ 48	004224	4	Socket Head Capscrew, #10 - 32 x 3/8"
3	402726	1	Air Deflector	→ 49	403716	2	Socket Head Capscrew 10-32 x 5/16"
3A	404242	1	Diffuser Cap	50	402629	2	Hardened Washer
4	006310	1	Socket Head Capscrew, #6 - 32 x 1/2"	51	402737	1	Intermediate Work Contacting Element
6	402704	1	Cap	*52	402738	1	Spring
7	402717	1	Conical Spring	53	402736	1	Flat Washer, #10
*8	404230	1	Retaining Ring	54	402608	1	Work Contacting Element
*9	091537	1	"O" Ring, Main Valve Assembly	☞ 54A	402997	1	Work Contacting Element (3150/38W16BF)
10	404122	1	Upper Valve Piston	55	402763	1	Upper Work Contacting Element
11	404055	1	Post, Main Valve	*56	402734	1	Spring
*12	404256	1	"O" Ring, Main Valve Post	57	402756	1	Front Guide (3150/38)
*13	402723	1	"O" Ring, Piston		402773	1	Front Guide (3200/50)
14	403563	1	Piston	58	404054	1	Seal, Main Valve
15	403582	1	Jam Nut	59	404698	2	Roll Pin Assembly
*16	404182	1	Driver Blade	60	404843	1	Back Plate (3150/38)
17	402725	1	Seal, Sleeve		404845	1	Back Plate (3200/50)
18	405245	1	Sleeve	61	402730	1	Pivot Pin, Front Guide
*19	402728	1	"O" Ring, Sleeve	62	402762	1	Roll Pin, 5/32" Dia. x 1-3/4" Lg.
*20	402729	1	"O" Ring, Sleeve	63	405078	1	Spring, Front Guide Latch (3150/38)
21	403854	1	Retainer, Bumper		405079	1	Spring, Front Guide Latch (3200/50)
22	403855	1	Bumper	64	402761	1	Latch, Front Guide (3150/38)
23	402754	1	Seal, Driver Blade		402776	1	Latch, Front Guide (3200/50)
24	402707	1	Gasket, Cap	65	402486	1	Retaining Washer
25	402701	1	Housing	**66	500459	1	Warning Sign
26	404939	2	Logo, Housing (3150/38-3200/50 W16)	67	402748	1	Pivoting Rail Cover Assembly (3150/38)
27	096893	1	Nameplate (3150/38-3200/50 W16)		402744	1	Pivoting Rail Cover Assembly (3200/50)
	405553	1	Nameplate (3150/38-3200/50 W16Q)	68	404848	1	Rail and Rail Cover Assembly (3150/38)
28	402708	1	Gasket, Flange		404849	1	Rail and Rail Cover Assembly (3200/50)
29	402706	1	Flange	69	402731	1	Logo, Rail
30	091545	4	Socket Head Capscrew, 1/4 - 20 x 7/8"	70	402740	1	Roll Pin, 3/32" Dia. x 7/16 Lg.
31	405144	1	Trigger	71	402758	1	Latch, Follower
32	402079	1	Pin, Trigger	72	402759	1	Spring, Follower Latch
33	402668	1	Retaining Washer	▲ 73	091568	1	Binding Head Screw, #6 - 32 x 1/4"
34	405147	1	Lever, Trigger	*74	091532	1	Negator
35	005849	1	Roll Pin	75	091534	1	Drum, Negator
36	405513	1	Fastener Label (3150/38 W16Q)	76	402743	1	Pin, Negator Drum
	405514	1	Fastener Label (3200/50 W16Q)	77	402760	1	Follower
37	026133	2	Roll Pin, 1/8" Dia. x 1" Lg.	78	404325	1	Stop Nut, #8-32
38	401958	1	Valve Body	79	091447	4	Flat Washer
*39	092174	1	"O" Ring, Valve Body	80	404243	4	Spacer, Diffuser
40	097746	1	Valve Pin	*81	090927	1	"O" Ring
41	097748	1	Spring, Valve Pin	*82	092775	1	"O" Ring
*42	091591	1	"O" Ring, End Plug	*83	092773	1	"O" Ring
▲ 43	401940	1	End Plug	84	404056	1	Lower Valve Piston
44	091622	1	Reducing Pipe Bushing	85	405243	1	Flange, Sleeve
45	004502	4	Socket Head Capscrew, #10 - 32 x 5/8"	86	091966	1	O-Ring
				87	500488	1	Grip Handle

\* Denotes normal wear items.

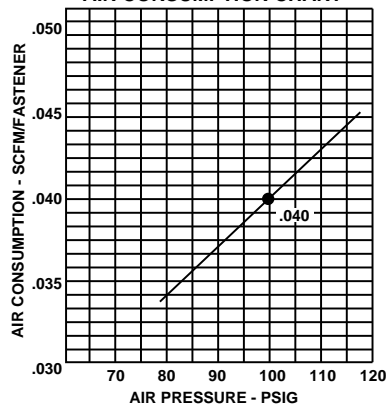
\*\* Make sure warning label (500459) is properly affixed. Replace if necessary. Label available at no charge through the Service Dept.

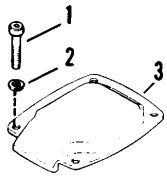
▲ Apply Loctite 242 (Blue) Part No. 093500

→ Denotes new change.

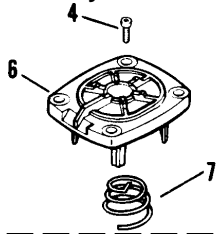
☞ Denotes unique part for that particular model only.

AIR CONSUMPTION CHART

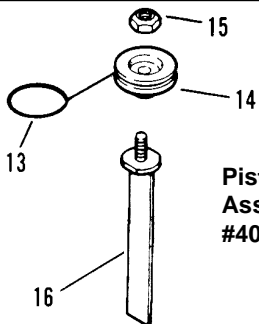
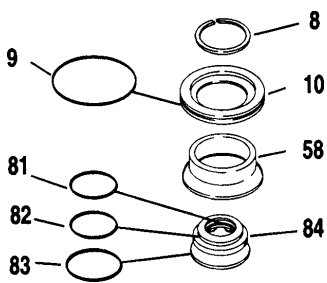




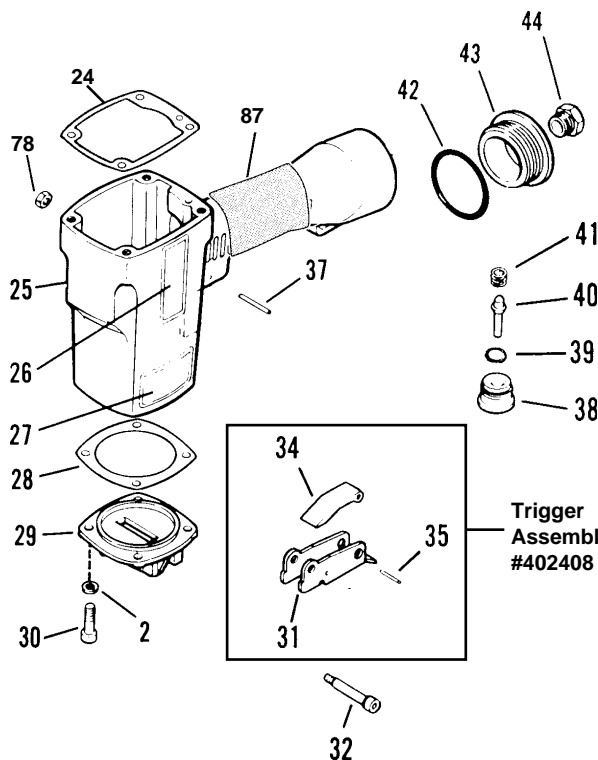
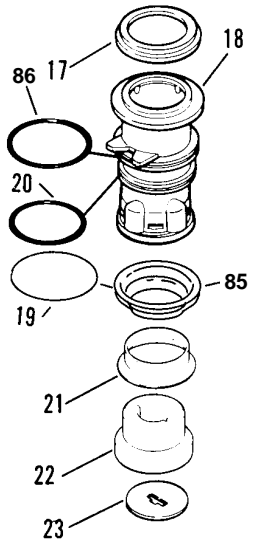
**Cap Assembly #402709**



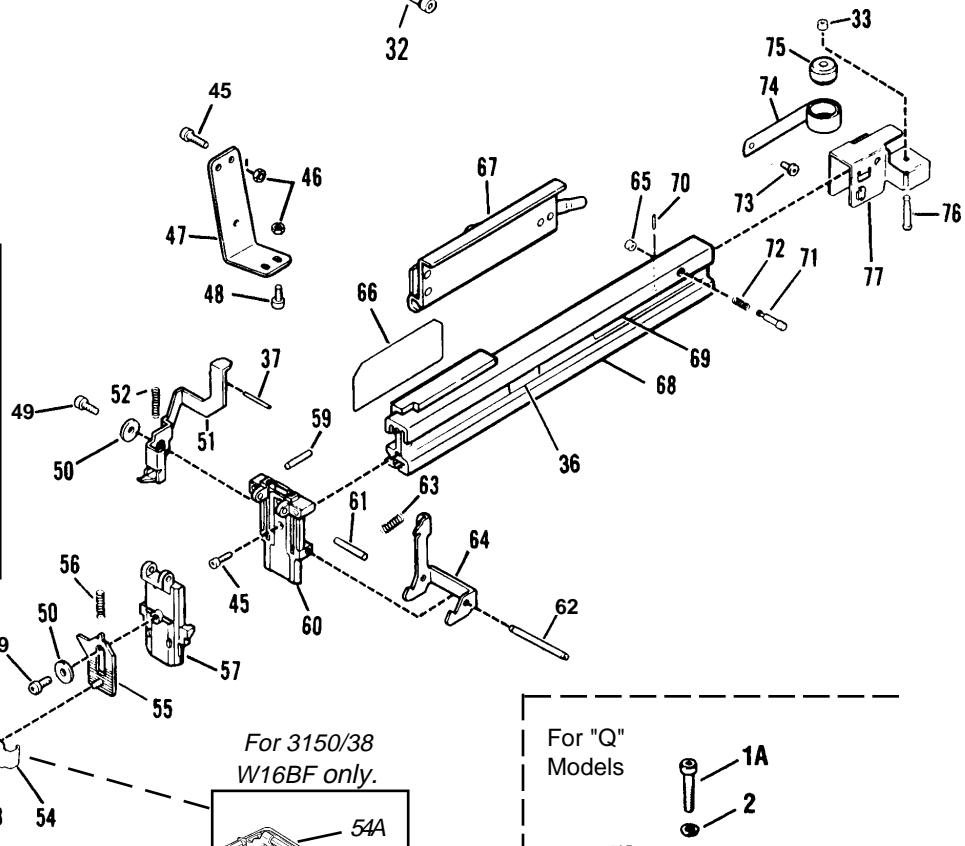
**Main Valve Assembly #404188**



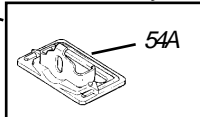
**Piston Assembly #404345**



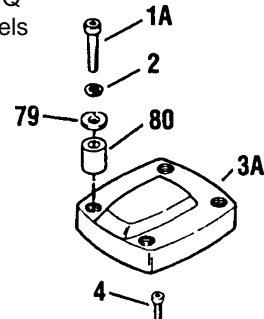
**Trigger Assembly #402408**



For 3150/38 W16BF only.



For "Q" Models



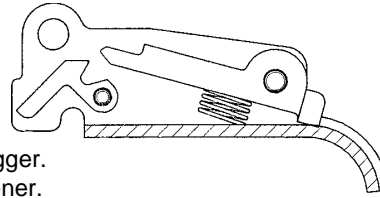
- 3150/38 W16**  
402750
- 3150/38 W16BF**  
500572
- 3150/38 W16**  
404249 (EUROPE)
- 3200/50 W16**  
402775
- 3200/50 W16**  
404250 (EUROPE)

**WARNING**  
All parts must be periodically inspected and replaced if worn or broken. Failure to do this can affect the tool's operation and present a safety hazard

# ACCESSORIES

## Sequential Operating Kit

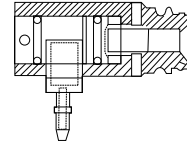
This special attachment is designed for sequential operation (stops "contact" firing). The operator must depress and hold the work contacting element against the worksurface before pulling the trigger. This sequence must be repeated each time the tool drives a fastener.



Part No. 406006

## Remote Fire Valve

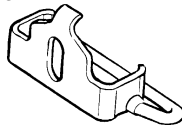
This valve via a positive air signal allows a machine mounted tool to be operated from an automatic air valve or foot pedal system.



Part No. 1X0713

## Rear Activating Foam Contacting Element

This is a rear-activating, welded-wire work contacting element. It replaces the standard 3000-W16 series work contacting element where rear activation is needed.

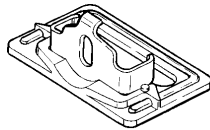


Part No. 1X1026

## Adjustable Foam Contacting Element

This is a wide-foot, cast and brazed assembly that replaces the standard 3000-W16 series work contacting element. This assembly is intended for foam sheathing applications and on machine-mounted tools.

Note: Must be used in combination with #402763 Upper WCE



Part No. 402997

(← This item is standard on the 3150/38 W16BF only.)

## Tool Case

Part No. 219033

## Safety Glasses

Clear Part No. 402510  
Tinted Part No. 402512

## Belt Hook

Attaches to cap of tool enabling you to carry tool on belt holder. Part No. 219017

## Belt Hook Holder

Attaches to work belt and carries tool using the above belt hook. Part No. 219028

## Wide Crown Stapler Repair Kit

This kit repairs all air leaks except for the trigger valve. Part No. 219220

## Trigger Valve Repair Kit

This kit repairs all trigger valve air leaks. Part No. 219224

## Lubricants and Loctite

Chemplex 710 Lubricant 1 lb. Part No. 403734  
Chemplex 710 Lubricant 5 gram tubes Part No. 219188  
Loctite 242 (Blue) 1 oz. Part No. 093500  
Lubricating Oil 8 oz. Part No. 219026  
Lubricating Oil 8 oz. with Antifreeze Part No. 219090

## Degreaser Cleaner

Ideal cleaner for all Paslode tools. Part No. 219086

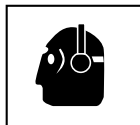
# SAFETY INSTRUCTIONS

WEAR EYE AND HEARING PROTECTION

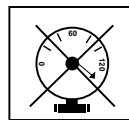
DO NOT EXCEED MAXIMUM  
RECOMMENDED AIR PRESSURE



Always wear hearing protection and eye protection devices, including side shields when operating or working in the vicinity of a tool.



Never use any bottled air or gases such as oxygen to operate the tool since they could cause the tool to explode.



Operate the tool using only the recommended air pressure. Do not exceed the maximum air pressure marked on the tool. Be sure the air pressure gauge is operating properly and check it at least twice a day.

